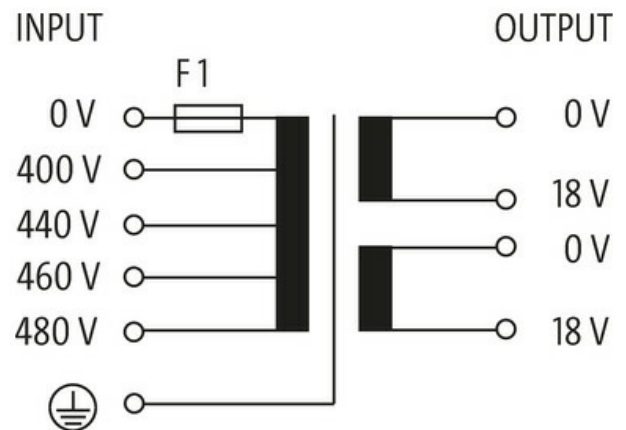


MTS SINGLE-PHASE SAFETY TRANSFORMER

P:25VA IN:400/440/460/480VAC OUT:2x18VAC

Single-phase - Control and Isolation Transformers
 25 VA
 Isolation class T 50/B
 Other voltages on request.

[Link to Product](#)**Illustration**

Product may differ from Image

General data

Standards	EN 61558-1, EN 61558-2-6, EN 62041 category 0
Mounting method	Long-hole mounting
Temperature range	-20...+50 °C (storage temperature -40...+80 °C)
Test isolation voltage	6.0 kV
Drill hole Ø	4.8x8.4 mm
Fixing centers a×b×c	56×56×4.8 mm
Dimensions H×W×D	82×78×95 mm

Output

Output voltage	2× 18 V AC
Output rating	25 VA

Input	
Input voltage	400, 440, 460, 480 V AC
Inrush current	0.6 A (400 V AC); 0.5 A (480 V AC)
Short-circuit current	0.7 A (400 V AC); 0.57 A (480 V AC)
Input current	0.094 A (400 V AC); 0.078 A (480 V AC)
Frequency	50...60 Hz
Commercial data	
country of origin	CZ
customs tariff number	85043180
EAN	4048879324595
eClass	27031202
Packaging unit	1.000