

Valve plug MJC 0° with cable LED+VDR

RADOX EM 104 2x0.75 bk 10m

Female straight
12...24 V AC/DC
LED and VDR
with cable sleeves

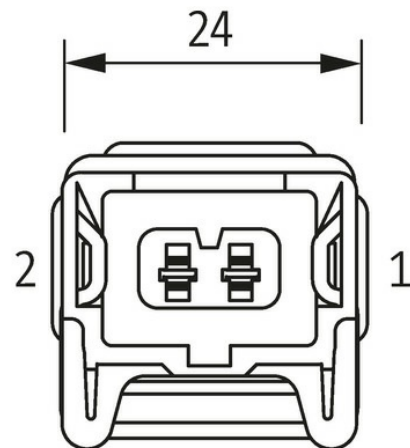
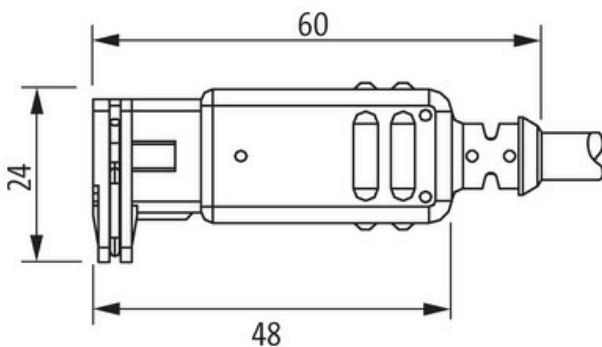
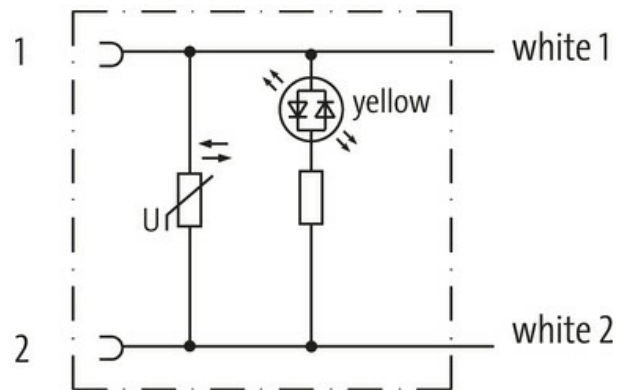
Plastic housings with good resistance against chemicals and oils.

The resistance to aggressive media should be individually tested for your application. Further details on request.

Further cable lengths on request.

[Link to Product](#)

Illustration



Product may differ from Image

Form

Form 70061

Technical Data

Operating voltage	12...24 V AC/DC
Rated surge voltage	0.8 kV
Operating current per contact	max. 4 A
LED display	yellow
suitable for corrugated tube (internal Ø)	10 mm
Housing	Black plastic, flame retardant

Additional suppressor VDR

General data

Pollution Degree 3

Stripping length (jacket) 50 mm

Cables

Cable identification R21

Approval (cable) DIN EN 45545-2, CE conform

Cable weight [g/m] 48,4 g

Material (wire) Cu wire, tin plated

Resistor (core) max. 26 Ω /km (20 °C)

Single wire \varnothing (core) 0.23 mm

Construction (core) 19x 0.23 mm

Diameter (core) 2x 0.75 mm²

AWG similar to AWG 18

Material (wire isolation) Radox EI 303

Wire- \varnothing incl. isolation 1.62 mm \pm 5%

Color/numbering of wires wh (bk num)

Stranding combination 2 wires twisted

Shield no

Material (jacket) Radox EM 104

Outer- \varnothing (jacket) 4.75 mm \pm 5%

Color (jacket) black

Jacket Color black

Nominal voltage 600/1000 V AC

Test voltage 3500 V AC

Current load capacity according to DIN VDE 0298-4

Temperature range (fixed) -50...+120 °C

Temperature range (mobile) -25...+90 °C

Bend radius (fixed) 3x outer- \varnothing

Bend radius (moving) 4x outer- \varnothing

Commercial data

country of origin DE

customs tariff number 85444290

EAN 4048879698962

eClass 27279218

Packaging unit 1.000