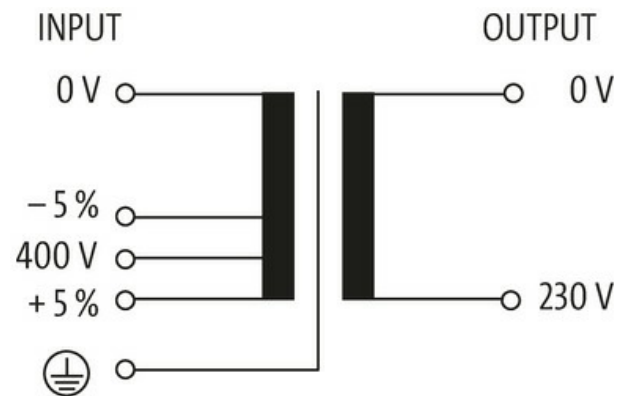


**MST SINGLE-PHASE CONTROL AND ISOLATION TRANSFORMER**

P:500VA IN:400VAC±5% OUT:230VAC

Single-phase - Control and Isolation Transformers  
 500 VA  
 Isolation class T 40/B  
 Other voltages on request.

[Link to Product](#)**Illustration**

Product may differ from Image

**General data**

Standards	EN 61558-1, EN 61558-2-4, EN 62041 category 0
Mounting method	Screw fixing M5, 4 pcs. in rectangle 87×104 mm
Temperature range	-20...+40 °C (storage temperature -40...+80 °C)
Test isolation voltage	5.8 kV (prim./sec.)
Fixing centers a×b×c	87×104×5.8 mm
Dimensions H×W×D	118×135×132 mm

**Output**

Output voltage	230 V AC
Output rating	500 VA

**Input**

The information in this brochure has been compiled with the utmost care.  
 Liability for the correctness completeness and topicality of the information is restricted to gross negligence. Version: 03/22

Input voltage	400 V AC $\pm$ 5%
---------------	-------------------

Inrush current	21 A (400 V AC)
----------------	-----------------

Short-circuit current	34 A (400 V AC)
-----------------------	-----------------

Input current	1.4 A (400 V AC)
---------------	------------------

Frequency	50...60 Hz
-----------	------------

**Commercial data**

country of origin	CZ
-------------------	----

customs tariff number	85043180
-----------------------	----------

EAN	4048879287319
-----	---------------

eClass	27031202
--------	----------

Packaging unit	1.000
----------------	-------