

**M12 female recept. A-cod. shielded rear**

PVC 3x0.34 shielded bk UL/CSA 1.5m

Flange female

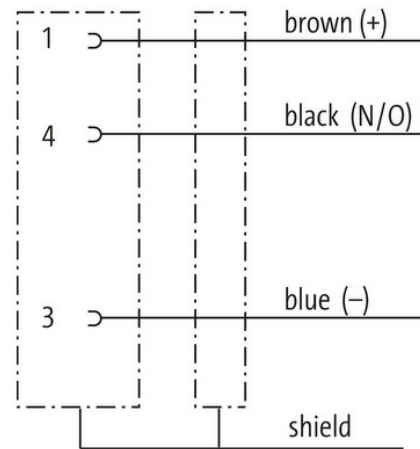
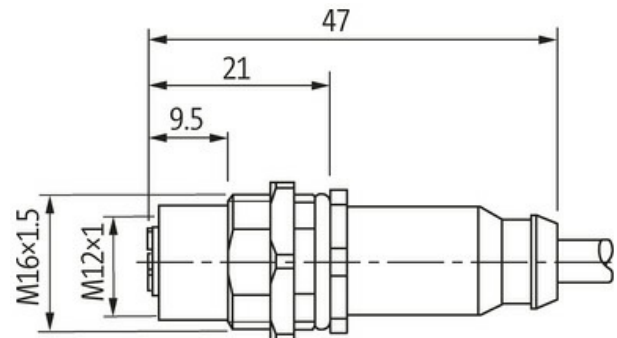
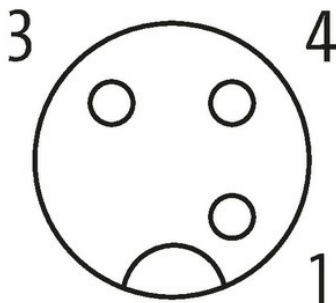
M12, 3-pole

shielded

Rear mounting

Further cable lengths on request.

The resistance to aggressive media should be individually tested for your application. Further details on request.

[Link to Product](#)**Illustration****Female**

Product may differ from Image

**Form**

Form 13613

**Technical Data**

Operating voltage max. 60 V AC/DC

|                               |  |
|-------------------------------|--|
| Rated surge voltage           | 1.5 kV   |
| Operating current per contact | max. 4 A   |
| No. of poles                  | 3  |
| Material group                | IEC 60664-1, category I  |
| Coding                        | A-coded  |
| LED display                   | no   |
| Locking of ports              | Screw thread (M12×1 mm) recommended torque 0.6 Nm, self-securing |
| Compression gland             | M12 (SW14)   |
| Protection                    | IP67 inserted and tightened (EN 60529)                           |
| Protection NEMA               | 3, 4, 6P (UL 50E)  |
| Locking material              | Brass, nickel plated   |

#### General data

|                            |  |
|----------------------------|--|
| Material (contact)         | Copper alloy                             |
| Material (contact surface) | Au                                       |
| Material (gasket)          | FKM                                      |
| Pollution Degree           | 3  |
| Stripping length (jacket)  | 20 mm                                    |
| Temperature range          | -25...+85 °C, depending on cable quality |

#### Cables

|                                    |  |
|------------------------------------|--|
| No./diameter of wires              | 3× 0.34 mm <sup>2</sup>  |
| Wire isolation                     | PVC (br, bl, bk)   |
| Outer Ø                            | 5.0 mm ±5%   |
| Cable identification               | 600  |
| Cable Type                         | 1 (PVC)  |
| Approval (cable)                   | UL (AWM-Style 2464/1731), CSA  |
| Cable weight [g/m]                 | 52,8 g   |
| Material (wire)                    | Cu wire, bare  |
| Resistor (core)                    | max. 57 Ω/km (20 °C)   |
| Single wire Ø (core)               | 0.15 mm  |
| Construction (core)                | 19× 0.15 mm (multi-strand wire class 5)  |
| Diameter (core)                    | 3× 0.34 mm <sup>2</sup>  |
| AWG                                | similar to AWG 22  |
| Material (wire isolation)          | PVC  |
| Material property (wire isolation) | CFC-, cadmium-, silicone- and lead-free, matt, low-adhesion, machine easy to process, abrasion-resistant |
| Shore hardness (wire isolation)    | 45 ±5 D  |
| Wire-Ø incl. isolation             | 1.25 mm ±5%  |
| Color/numbering of wires           | br, bk, bl   |
| Stranding combination              | 3 wires twisted  |
| Shield                             | yes  |
| optical shield cover               | min. 80%   |
| Material (jacket)                  | PVC  |
| Material property (jacket)         | CFC-, cadmium-, silicone- and lead-free, matt, low-adhesion, machine easy to process, abrasion-resistant |
| Shore hardness (jacket)            | 85 ±5 A  |
| Outer-Ø (jacket)                   | 5.0 mm ±5%   |
| Color (jacket)                     | black  |
| Cable labeling                     | see frame delivery specifications 7000-00000-001   |
| Jacket Color                       | black  |
| chemical resistance                | good resistance to oil, gasoline and chemicals   |
| thermal resistance                 | flame retardant UL 1581 VW1 / CSA FT1  |
| Nominal voltage                    | 300 V AC   |
| Test voltage                       | 2000 V AC  |
| Current load capacity              | to DIN VDE 0298-4  |
| Temperature range (fixed)          | -30...+80 °C   |

The information in this brochure has been compiled with the utmost care.

Liability for the correctness completeness and topicality of the information is restricted to gross negligence. Version: 03/22

|                            |              |
|----------------------------|--------------|
| Temperature range (fixed)  | -30...+80 °C |
| Temperature range (mobile) | -5...+80 °C  |
| Temperature range (mobile) | -5...+80 °C  |
| Bend radius (fixed)        | 10× outer Ø  |
| Material (jacket)          | PVC (UL/CSA) |

**Commercial data**

|                       |               |
|-----------------------|---------------|
| country of origin     | DE            |
| customs tariff number | 85444290      |
| EAN                   | 4048879570619 |
| eClass                | 27279220      |
| Packaging unit        | 1.000         |