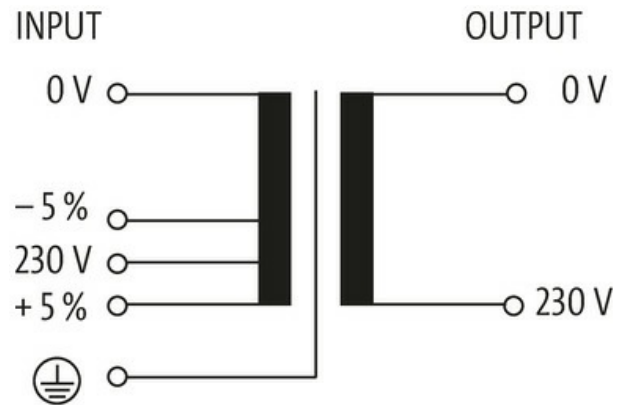


**MET 1-PHASE CONTROL AND ISOLATION TRANSFORMER**

P: 1000VA IN: 230VAC+/- 5% OUT: 230VAC

Single-phase - Control and Isolation Transformers  
1000 VA  
Isolation class T 60/B

[Link to Product](#)**Illustration**

Product may differ from Image

**General data**

Standards	EN 61558-1, EN 61558-2-4, EN 62041 category 0
Mounting method	Key-hole mounting
Temperature range	-20...+60 °C (storage temperature -40...+80 °C)
Test isolation voltage	4 kV (prim./sec.)
Drill hole Ø	7×11 mm
Fixing centers a×b×c	111.5×135×7 mm
Dimensions H×W×D	138×174×160 mm

The information in this brochure has been compiled with the utmost care.  
Liability for the correctness completeness and topicality of the information is restricted to gross negligence. Version: 03/22

Output	
Output voltage	230 V AC
Output rating	1000 VA
Input	
Input voltage	230 V AC $\pm$ 5%
Inrush current	110 A (230 V AC)
Short-circuit current	138 A (230 V AC)
Input current	4.64 A (230 V AC)
Frequency	50...60 Hz
Commercial data	
country of origin	CZ
customs tariff number	85043180
EAN	4048879078900
eClass	27031302
Packaging unit	1.000