

SUPPRESSOR FOR MOTORS

VDR, star, 3x400 VAC, 10 kW

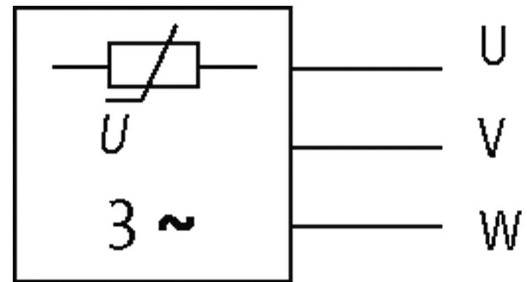
3 × 400 V AC

VDR

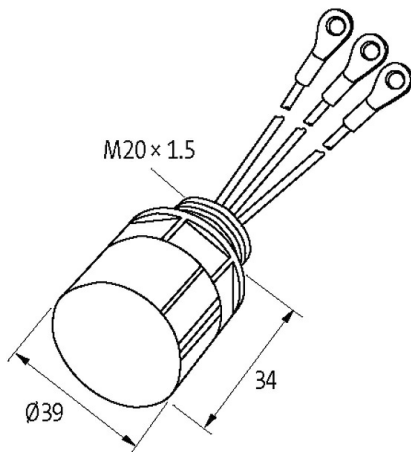
Suppressors for other voltages, frequencies, and motor ratings available on request. Do not use RC motor suppressors with frequency inverters.

[Link to Product](#)

Illustration



VDR



Product may differ from Image

Technical Data

Input voltage	400...400 V AC
Material	Flame retardant plastic acc. to (UL 94)
Ring terminals	isolated M6
Potting compound	2-component epoxy

General data

Mounting method	on motor terminal box with plug connector
Temperature range	-20...+60 °C
Connection	approx. 150 mm, single cores 1 mm ²
Dimensions H×W×D	39×39×44 mm

Commercial data

The information in this brochure has been compiled with the utmost care. Liability for the correctness completeness and topicality of the information is restricted to gross negligence. Version: 03/22

country of origin	CZ
customs tariff number	85363010
EAN	4048879019132
eClass	27371013
Packaging unit	1.000