

VALVE PLUG SUPPRESSOR FORM BI - 11MM

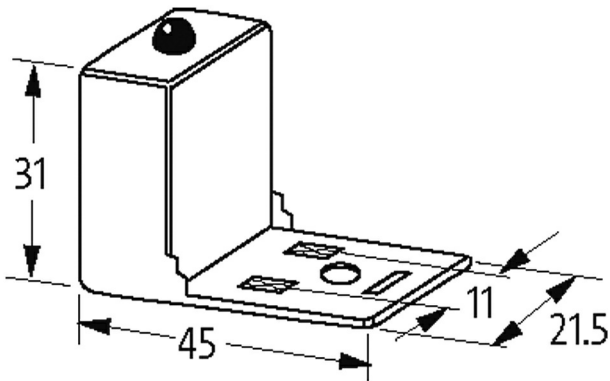
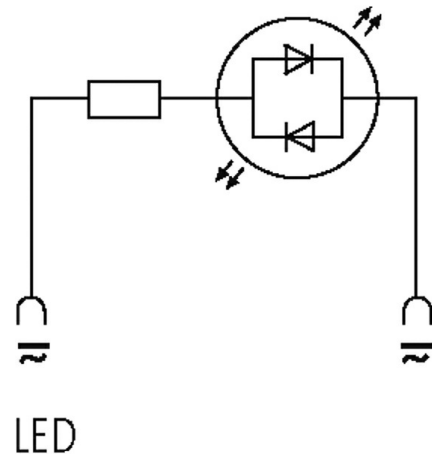
With LED, 230VAC/DC/50VA/W

230 V AC/DC

LED

Remove plug gasket when fitting adapter. Other LED colors on request.

Note PIN arrangement (PE at cable outlet of connector). 180° turned version on request.

[Link to Product](#)**Illustration**

Product may differ from Image

Technical Data

LED display	(yellow opac)
Input voltage	195...253 V AC/DC
max. power (W)	max. 50 W (VA)

General data

Material (contact)	Silvered bronze
Temperature range	-20...+60 °C
Housing	Polyamide black, flame retardant, temperature resistance up to 130 °C
Dimensions H×W×D	31×45×21.5 mm

Commercial data

country of origin	CZ
customs tariff number	85363010
EAN	4048879011976

eClass	27371013
Packaging unit	1.000
