

MQ15-X-Power female 90°right, with cable

PUR 6x1.5 bk UL/CSA+drag chain 2m

Female 90°

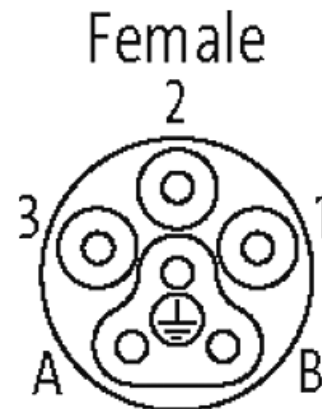
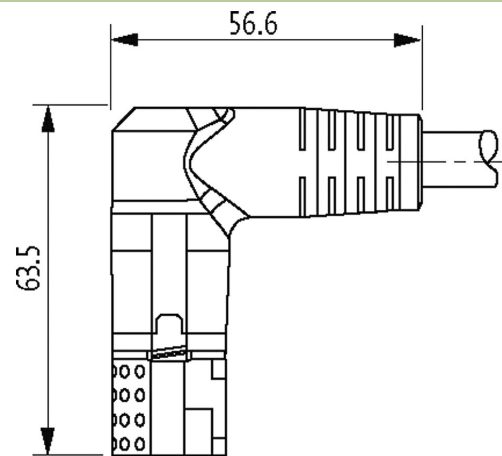
MQ15, 6-pole

without cable sleeves

Plastic housings with good resistance against chemicals and oils.

The resistance to aggressive media should be individually tested for your application. Further details on request.

Further cable lengths on request.

[Link to Product](#)**Illustration**

Product may differ from Image

Form

Form P8131

Technical Data

| | |
|-------------------------------|---|
| Operating voltage | max. 600 V AC (Power); max. 63 V AC/DC (Signal) |
| Rated surge voltage | 4.0 kV |
| Operating current per contact | max. 13 A (Power); max. 10 A (Signal) |
| Material group | IEC 60664-1, category I |
| No. of poles | 6 |
| Configuration | fully used |
| LED display | no |

The information in this brochure has been compiled with the utmost care.

Liability for the correctness completeness and topicality of the information is restricted to gross negligence. Version: 03/22

Murrelektronik Ltd. | 5 Albion Street, Pendlebury Industrial Estate, Swinton | Manchester M27 4FG | Fon +44 161 728 3133 | Fax +44 161 728 3130 | shop@murrelektronik.co.uk | shop.murrelektronik.co.uk

| | |
|------------------|---|
| Locking of ports | Quick connection, 1/4 turn |
| Protection | IP67 inserted and tightened (EN 60529) |
| Material | Flame retardant plastic acc. to (UL 94) |
| Mating cycles | ≥ 500 |

General data

| | |
|----------------------------|--|
| Mounting method | inserted, tightened |
| Material (contact carrier) | PA |
| Material (contact) | Copper alloy |
| Material (contact surface) | Ag |
| Pollution Degree | 3 |
| Stripping length (jacket) | 30 mm |
| Temperature range | -25...+80 °C, depending on cable quality |

Cables

| | |
|-------------------------------|-------------------------|
| Cable number | P84 |
| No./diameter of wires | 6× 1.5 mm ² |
| Wire isolation | TPM (bk num, gnye) |
| C-track properties | 5 Mio. |
| Jacket Color | black |
| Material (jacket) | PUR (UL) |
| Outer Ø | 9.0 mm ±5% |
| Bend radius (moving) | 6.8× outer-Ø |
| Temperature range (fixed) | -50...+80 °C |
| Temperature range (mobile) | -20...+70 °C |
| Cable identification | P84 |
| Material (wire) | Cu wire, bare |
| Diameter (core) | 6× 1.5 mm ² |
| Shield | no |
| Material (jacket) | PUR |
| Outer-Ø (jacket) | 9.0 mm ±5% |
| Color (jacket) | black |
| thermal resistance | flame retardant |
| Nominal voltage | 1000 V AC |
| Test voltage | 4000 V |
| Temperature range (fixed) | -50...+80 °C |
| Temperature range (mobile) | -20...+70 °C |
| Bend radius (fixed) | 4× outer-Ø |
| Bend radius (moving) | 6.8× outer-Ø |
| Traversing distance (C-track) | max. 5 m (horizontal) |
| Travel speed (C-track) | max. 3 m/s |
| Acceleration (C-track) | max. 5 m/s ² |
| Torsion stress | ±15°/m |

Commercial data

| | |
|-----------------------|---------------|
| country of origin | DE |
| customs tariff number | 85444290 |
| EAN | 4048879687713 |
| eClass | 27279218 |
| Packaging unit | 1 |