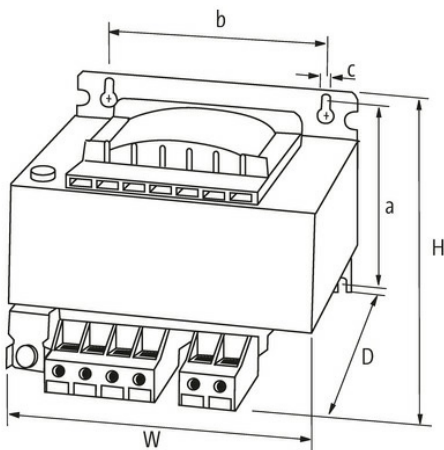
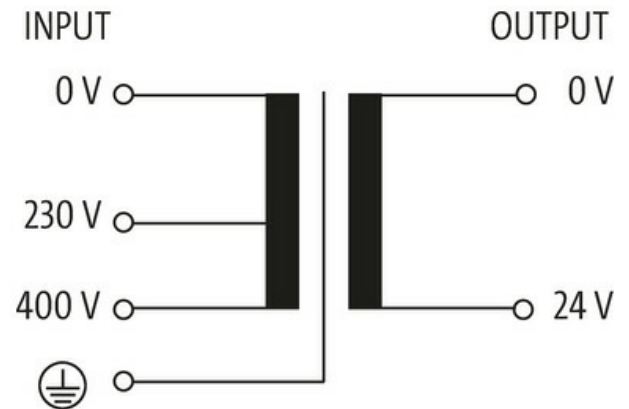


MTS 1-PHASE SAFETY TRANSFORMER

P: 250VA IN: 230/400VAC OUT: 24VAC

Single-phase safety transformer
250 VA
Spring clamp terminals
Isolation class T 40/B
Other voltages on request.

[Link to Product](#)**Illustration**

Product may differ from Image

**General data**

Standards	EN 61558-1, EN 61558-2-6, EN 62041 category 0
Mounting method	Long-hole mounting or DIN-rail mountable TH35 (EN 60715)
Temperature range	-20...+40 °C (storage temperature -40...+80 °C)
Test isolation voltage	4 kV (prim./sec.)
Drill hole Ø	4.8x8.4 mm

Fixing centers a×b×c	86.5×84×4.8 mm
----------------------	----------------

Dimensions H×W×D	102×96×108 mm
------------------	---------------

Output

Output voltage	24 V AC (SELV)
----------------	----------------

Output rating	250 VA
---------------	--------

Input

Input voltage	230/400 V AC
---------------	--------------

Inrush current	8.2 A (230 V AC); 4.74 A (400 V AC)
----------------	-------------------------------------

Short-circuit current	1.83 A (230 V AC); 1.02 A (400 V AC)
-----------------------	--------------------------------------

Input current	1.2 A (230 V AC); 0.69 A (400 V AC)
---------------	-------------------------------------

Frequency	50...60 Hz
-----------	------------

Commercial data

country of origin	CZ
-------------------	----

customs tariff number	85043180
-----------------------	----------

EAN	4048879066082
-----	---------------

eClass	27031302
--------	----------

Packaging unit	1.000
----------------	-------