

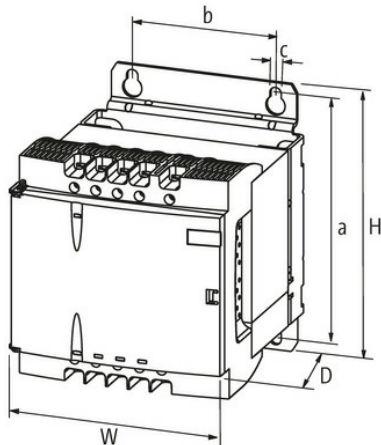
MTL 1-PHASE SAFETY TRANSFORMER

P: 250VA IN: 230/400VAC +/- 15VAC OUT: 2x24VAC

Single-phase safety transformer
250 VA
Isolation class T 60/B

[Link to Product](#)

Illustration



Product may differ from Image



Technical Data

LED display LED (green) for input voltage

General data

Standards	EN 61558-2-4, EN 61558-2-6, EN 62041 category 0
Mounting method	Key-hole mounting
Temperature range	-20...+60 °C, no condensation
Test isolation voltage	5.1 kV (prim./sec.)
Drill hole Ø	6.5x11 mm

The information in this brochure has been compiled with the utmost care.
Liability for the correctness completeness and topicality of the information is restricted to gross negligence. Version: 03/22

Fixing centers a×b×c	136×82×6.5 mm
----------------------	---------------

Dimensions H×W×D	153×123×142 mm
------------------	----------------

Output

Output voltage	1× 24/1× 48/2× 24 V AC
----------------	------------------------

Output rating	250 VA
---------------	--------

Input

Input voltage	230/400 ±15 V AC
---------------	------------------

Inrush current	14.1 A (230 V AC); 8.15 A (400 V AC)
----------------	--------------------------------------

Short-circuit current	27.5 A (230 V AC); 15.9 A (400 V AC)
-----------------------	--------------------------------------

Input current	1.29 A (230 V AC); 0.75 A (400 V AC)
---------------	--------------------------------------

Frequency	50...60 Hz
-----------	------------

Commercial data

country of origin	CZ
-------------------	----

customs tariff number	85043180
-----------------------	----------

EAN	4048879078306
-----	---------------

eClass	27031302
--------	----------

Packaging unit	1.000
----------------	-------