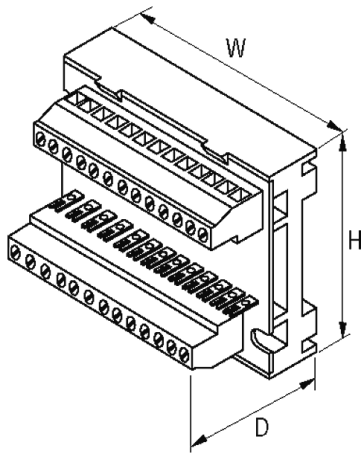
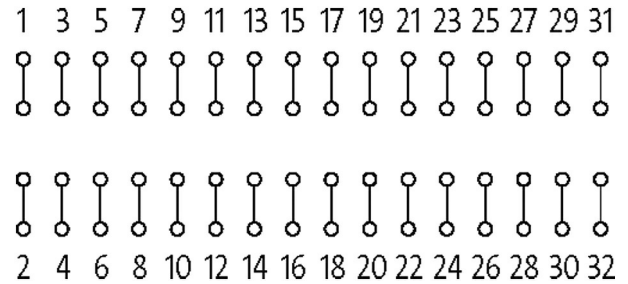


**ASSEMBLY MODULE MP 16**

Mounting rail / screw-type terminal

16 pairs of solder pins  
screw terminals connected to solder pin pairs

**Link to Product****Illustration**

Product may differ from Image

**Technical Data**

Operating voltage	50 V AC/DC
Operating current	max. 5 A
Distance of solder pins	24 mm

**General data**

Mounting method	DIN-rail mountable TH35 or G32 (EN 60715) or screwable
Temperature range	-20...+60 °C
Housing	Plastic, flame retardant. Open design.
Connection	Screw terminals: max. 4 mm <sup>2</sup> , pairs of solder pins (spacing 5 mm)
Dimensions H×W×D	63×90×36 mm

**Commercial data**

country of origin	CZ
customs tariff number	85369010

EAN	4048879042246
eClass	27260710
Packaging unit	1.000