

**RJ45 Push Pull male 45° with cable AIDA**

PUR 1x4xAWG22 shielded gn UL/CSA+drag ch. 7.5m

Ethernet CAT5  
Male straight  
RJ45PP, 4-pole  
shielded  
Push Pull

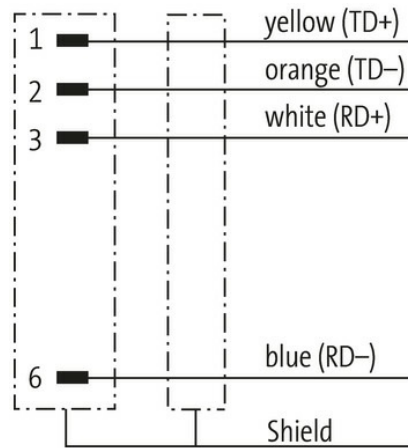
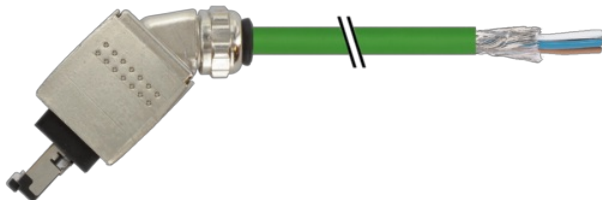
Further cable lengths on request.

Plastic housings with good resistance against chemicals and oils.

The resistance to aggressive media should be individually tested for your application. Further details on request.

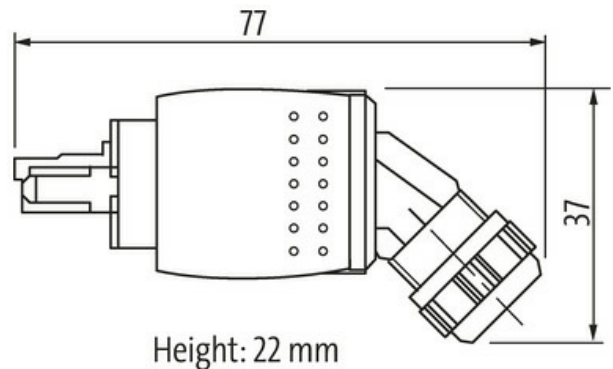
[Link to Product](#)

Illustration

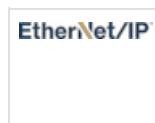


Male

6 321



Product may differ from Image



\* only for products with UL/CSA approved cable

| Form                                      |  |
|---|--|
| Form                                      | 74621  |
| Technical Data                            |  |
| Operating voltage                         | max. 60 V DC   |
| Operating voltage (only UL listed)        | max. 30 V DC   |
| Rated surge voltage                       | 1.0 kV   |
| Operating current per contact             | max. 1.76 A  |
| Transfer parameters                       | CAT5, Class D (ISO/IEC 11801:2002), (EN 50173-1)   |
| Transfer rate                             | up to 100 Mbit/s full duplex   |
| Material group                            | IEC 60664-1, category I  |
| Locking of ports                          | Push Pull  |
| Protection                                | IP65 and IP67 when plugged and screwed down (EN 60529)   |
| Locking material                          | Zinc die casting, matte nickel plated  |
| suitable for corrugated tube (internal Ø) | without  |
| General data                              |  |
| Pollution Degree                          | 3  |
| Temperature range                         | -25...+85 °C, depending on cable quality   |
| Cables                                    |  |
| Cable identification                      | 796  |
| Approval (cable)                          | cURus (AWM-Style 20549/11602), CE-conform  |
| Cable weight [g/m]                        | 69,3 g   |
| Material (wire)                           | Cu wire, bare  |
| Resistor (core)                           | max. 55 Ω/km (20 °C)   |
| Construction (core)                       | 7× 0.254 mm  |
| Diameter (core)                           | 1× 4× AWG22/7  |
| Material (wire isolation)                 | PE   |
| Wire-Ø incl. isolation                    | 1.4 mm ±5%   |
| Color/numbering of wires                  | wh, ye, bl, or   |
| Shield                                    | yes  |
| optical shield cover                      | min. 85%   |
| Material (jacket)                         | PUR  |
| Material property (jacket)                | CFC-, halogen-, cadmium-, silicone- and lead-free, matt, low-adhesion, machine easy to process, abrasion-resistant, hydrolysis and microbial resistant |
| Outer-Ø (jacket)                          | 6.7 mm ±5%   |
| Color (jacket)                            | green  |
| chemical resistance                       | Oil resistance according to IEC 60811-2-1, ASTM IRM 901, ICEA S-82-552 Std.  |
| thermal resistance                        | flame-retardant according to UL 1581 section 1090, section 1100 (FT2), IEC 60332-1-2 Std.  |
| Nominal voltage                           | 300 V  |
| Test voltage                              | 2000 V AC (test duration 1 min)  |
| Temperature range (fixed)                 | -40...+80 °C   |
| Temperature range (mobile)                | -30...+70 °C   |
| Bend radius (fixed)                       | 5× outer Ø   |
| Bend radius (moving)                      | 12× outer Ø  |
| No. of bending cycles (C-track)           | max. 3 Mio. (25 °C)  |
| Travel speed (C-track)                    | max. 3.3 m/s   |
| Acceleration (C-track)                    | max. 2 m/s <sup>2</sup>  |
| Commercial data                           |  |
| country of origin                         | DE   |
| customs tariff number                     | 85444210   |

The information in this brochure has been compiled with the utmost care.

Liability for the correctness completeness and topicality of the information is restricted to gross negligence. Version: 03/22

|                |               |
|----------------|---------------|
| EAN            | 4048879375030 |
| eClass         | 27061801      |
| Packaging unit | 1.000         |