

SIEMENS CONTACTOR SUPPRESSOR

Varistor, 230VAC/DC

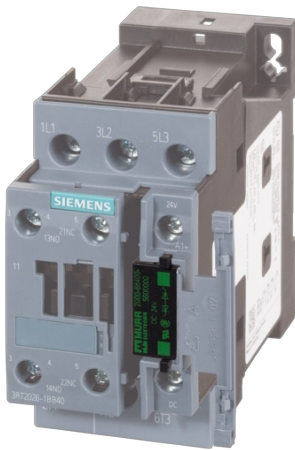
230 V AC/DC

VDR

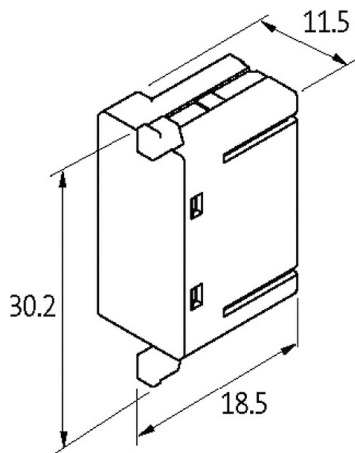
For other configurations and voltages, please inquire.

[Link to Product](#)

Illustration



VDR



Product may differ from Image



Technical Data

| | |
|------------------|---|
| Input voltage | 127...250 V AC/DC |
| Material | Flame retardant plastic acc. to (UL 94) |
| Damping factor | approx. 1.5× UN |
| Connection wires | Plug contact |

General data

| | |
|-------------------|--------------|
| Temperature range | -20...+70 °C |
|-------------------|--------------|

Dimensions H×W×D 18.5×30.2×11.5 mm

Appropriate contactors

3 RT 20.25/26/27/28

Commercial data

| | |
|-----------------------|---------------|
| country of origin | CZ |
| customs tariff number | 85363010 |
| EAN | 4048879010870 |
| eClass | 27371013 |
| Packaging unit | 1.000 |