

**M12 male 90° / M12 female 0° D-cod. shielded**

PUR 1x4xAWG22 shielded gn UL/CSA+robot 5m

Ethernet CAT5

Male 90° – female straight

M12 – M12, 4-pole

D-coded

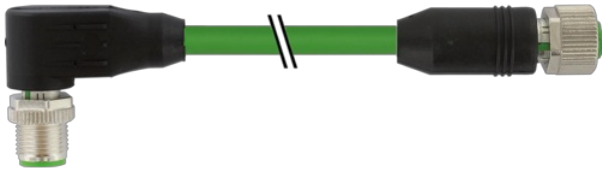
shielded

Transmission properties with channel transmission up to 100 m

Further cable lengths on request.

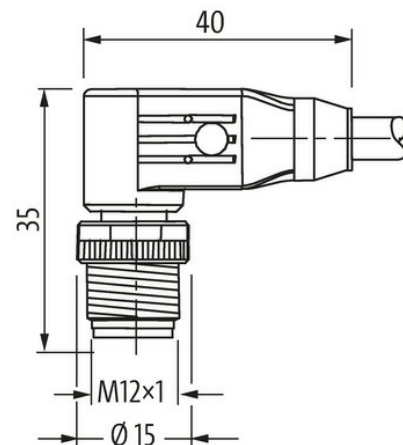
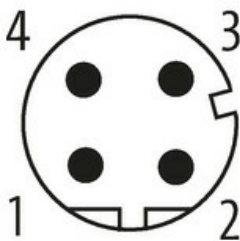
Plastic housings with good resistance against chemicals and oils.

The resistance to aggressive media should be individually tested for your application. Further details on request.

[Link to Product](#)**Illustration**

Male

Female





Product may differ from Image



\* only for products with UL/CSA approved cable

| Form                                      |  |
|---|--|
| Form                                      | 44581  |
| Technical Data                            |  |
| Operating voltage                         | max. 60 V DC   |
| Operating voltage (only UL listed)        | max. 30 V DC   |
| Rated surge voltage                       | 1.5 kV   |
| Operating current per contact             | max. 4 A   |
| Transfer parameters                       | CAT5, Class D (ISO/IEC 11801:2002), (EN 50173-1)                 |
| Transfer rate                             | up to 100 Mbit/s full duplex                                     |
| Material group                            | IEC 60664-1, category I  |
| Coding                                    | M12, D-coded   |
| Locking of ports                          | Screw thread (M12×1 mm) recommended torque 0.6 Nm, self-securing |
| Compression gland                         | M12 (SW13)   |
| Protection                                | IP65, IP66K, IP67 inserted and tightened (EN 60529)              |
| Material                                  | PUR  |
| Locking material                          | Zinc die casting, matte nickel plated                            |
| suitable for corrugated tube (internal Ø) | without  |
| General data                              |  |
| Standards                                 | DIN EN 61076-2-101 (M12)   |
| Pollution Degree                          | 3  |
| Temperature range                         | -25...+85 °C, depending on cable quality                         |
| Cables                                    |  |
| Cable identification                      | 793  |
| Approval (cable)                          | cURus (AWM style 20549/10578); CE compliant                      |
| Cable weight [g/m]                        | 69,3 g   |
| Material (wire)                           | Cu wire, tin plated  |
| Resistor (core)                           | max. 60 Ω/km (20 °C)   |
| Single wire Ø (core)                      | 0.16 mm  |
| Construction (core)                       | 19× 0.160 mm   |
| Diameter (core)                           | 1 × 4 × AWG22/19   |
| Material (wire isolation)                 | PE   |
| Wire-Ø incl. isolation                    | 1.6 mm ±5%   |
| Color/numbering of wires                  | wh, ye, bl, or   |

|                            |   |
|----------------------------|---|
| Shield                     | yes   |
| optical shield cover       | min. 85%  |
| Material (jacket)          | PUR   |
| Outer-Ø (jacket)           | 6.6 mm ±5%  |
| Color (jacket)             | green   |
| chemical resistance        | Oil resistance IEC 60811-2-1, ASTM Öle 1, ICEA S-82-552 Std.                              |
| thermal resistance         | flame-retardant according to UL 1581 section 1090, section 1100 (FT2), IEC 60332-1-2 Std. |
| Nominal voltage            | 300 V   |
| Test voltage               | 2000 V AC (test duration 1 min)   |
| Temperature range (fixed)  | -40...+80 °C  |
| Temperature range (mobile) | -20...+60 °C  |
| Bend radius (fixed)        | 8× outer Ø  |
| Bend radius (moving)       | 12× outer Ø   |
| Torsion stress             | ±180°/m   |
| No. of torsion cycles      | max. 4 Mio. (25 °C)   |

#### Commercial data

|                       |               |
|-----------------------|---------------|
| country of origin     | DE            |
| customs tariff number | 85444290      |
| EAN                   | 4048879379793 |
| eClass                | 27061801      |
| Packaging unit        | 1.000         |