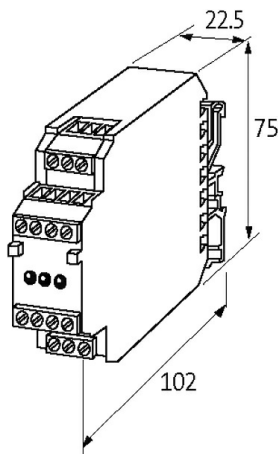
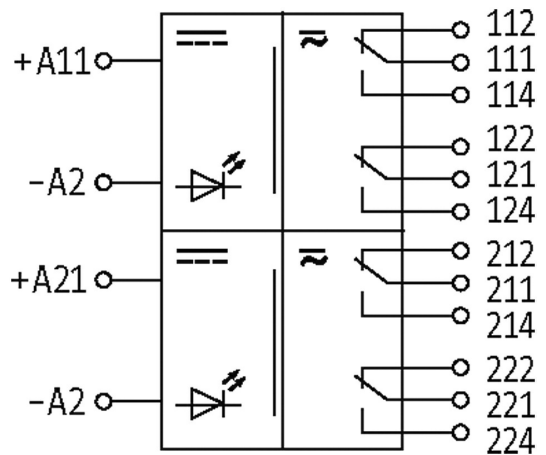


RM-22/24VAC/DC KL.BZ.EN OUTPUT RELAY

IN: 24 VAC/DC - OUT: 250 VAC/DC / 5 A

2 relays; each 2 NO/NC contacts
 8 A
 24 V DC
 Screw terminals

[Link to Product](#)**Illustration**

Product may differ from Image

General data

Mounting method	DIN-rail mountable TH35 or G32 (EN 60715)
Temperature range	-20...+50 °C
Test isolation voltage	4.0 kV
Mech./ elect. life	20 000 000 switching cycles/load dependent
Dimensions HxWxD	75x22.5x85 mm

Output

Min. load current	100 mA
Contact material	Ag Ni 0.15 hv
Energize/release/contact bounce time	10/10/2 ms
Switching voltage	max. 250 V AC/DC

Switching frequency	max. 0.1 Hz (with load)
---------------------	-------------------------

Power rating (voltage dependent)	max. 1250 VA/240 W
----------------------------------	--------------------

Switching current per output	max. 8 A
------------------------------	----------

Input

Connection voltage - current	24 V AC/DC (19.2...30 V AC/DC) - 14 mA
------------------------------	--

LED display	LED (red)
-------------	-----------

Utilization category

AC-15	3 A (24/110/230 V AC)
-------	-----------------------

AC-1	8 A (24/110/230 V AC)
------	-----------------------

DC-13	2 A (24 V DC); 0.3 A (110 V DC); 0.2 A (230 V DC)
-------	---

Commercial data

country of origin	CZ
-------------------	----

customs tariff number	85364900
-----------------------	----------

EAN	4048879027601
-----	---------------

eClass	27371001
--------	----------

Packaging unit	1.000
----------------	-------