

M12 male 90° A-cod. / MSUD valve plug C-8mm

PUR 3x0.75 bk UL/CSA 0.3m

Form C (8 mm) – M12, male 90°

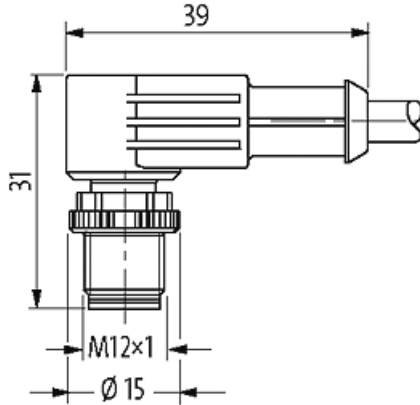
24 V AC $\pm 20\%$ / DC $\pm 25\%$

LED and suppression

Further cable lengths on request.

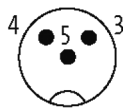
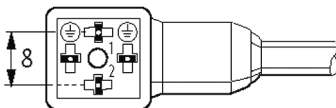
Plastic housings with good resistance against chemicals and oils.

The resistance to aggressive media should be individually tested for your application. Further details on request.

[Link to Product](#)**Illustration**

Female

Male



Product may differ from Image

**Form**

Form

41101

| Technical Data | |
|--|--|
| Operating voltage | 24 V AC $\pm 20\%$ / DC $\pm 25\%$ |
| Rated surge voltage | 0.8 kV |
| Operating current per contact | max. 4 A |
| Material group | IEC 60664-1, category I |
| Current consumption | approx. 12 mA |
| Switch off peak | max. 55 V |
| Switch off delay time | max. 20 ms |
| LED display | yellow |
| Locking of ports | M2.5/M12 (recommended torque 0.4/0.6 Nm) |
| Compression gland | M12 (SW13) |
| Protection | IP67 inserted and tightened (EN 60529) |
| Locking material | Zinc die casting, matte nickel plated |
| Material | MSUD (PBT); M12 (PUR) |
| suitable for corrugated tube (internal \varnothing) | 10 mm |
| Housing | Black plastic (gray on request) |
| General data | |
| Pollution Degree | 3 |
| Temperature range | -25...+85 °C, depending on cable quality |
| Cables | |
| No./diameter of wires | 3 x 0.75 mm ² |
| Wire isolation | PVC (bk num, gnye) |
| C-track properties | 2 Mio. |
| Material (jacket) | PUR/PVC (UL/CSA) |
| Outer \varnothing | 5.9 mm $\pm 5\%$ |
| Bend radius (moving) | 15 x outer \varnothing |
| Temperature range (fixed) | -30...+80 °C |
| Temperature range (mobile) | -5...+80 °C |
| Cable identification | 626 |
| Cable Type | 2 (PUR/PVC) |
| Approval (cable) | UL (AWM-Style 20549/1731), CSA; CE conform |
| Cable weight [g/m] | 55,33 |
| Material (wire) | Cu wire, bare |
| Resistor (core) | max. 26 Ω /km (20 °C) |
| Single wire \varnothing (core) | 0.15 mm |
| Construction (core) | 42 x 0.15 mm (multi-strand wire class 6) |
| Diameter (core) | 3 x 0.75 mm ² |
| AWG | similar to AWG 18 |
| Material (wire isolation) | PVC |
| Material property (wire isolation) | CFC-, cadmium-, silicone- and lead-free |
| Shore hardness (wire isolation) | 43 ± 5 D |
| Wire- \varnothing incl. isolation | 1.8 mm $\pm 5\%$ |
| Color/numbering of wires | bk numbered, gnye longitudinally striped |
| Stranding combination | 3 wires twisted |
| Shield | no |
| Material (jacket) | PUR/PVC |
| Material property (jacket) | CFC-, halogen-, cadmium-, silicone- and lead-free, matt, low-adhesion, machine easy to process, abrasion-resistant, hydrolysis and microbial resistant |
| Shore hardness (jacket) | 80 ± 5 A (PVC-under jacket); 85 ± 5 A (PUR-jacket) |
| Outer- \varnothing (jacket) | 5.9 mm $\pm 5\%$ |
| Color (jacket) | black |
| chemical resistance | good resistance to oil, gasoline and chemicals |
| Nominal voltage | UL 300 V AC |
| Test voltage | 2000 V AC |

The information in this brochure has been compiled with the utmost care.

Liability for the correctness completeness and topicality of the information is restricted to gross negligence. Version: 03/22

| | |
|---------------------------------|-------------------------|
| Current load capacity | to DIN VDE 0298-4 |
| Temperature range (fixed) | -30...+80 °C |
| Temperature range (mobile) | -5...+80 °C |
| Bend radius (fixed) | 10× outer Ø |
| Bend radius (moving) | 15× outer Ø |
| No. of bending cycles (C-track) | max. 2 Mio. (25 °C) |
| Traversing distance (C-track) | max. 5 m (horizontal) |
| Travel speed (C-track) | max. 3.3 m/s |
| Acceleration (C-track) | max. 5 m/s ² |
| Jacket Color | black |

Commercial data

| | |
|-----------------------|---------------|
| country of origin | CZ |
| customs tariff number | 85444290 |
| EAN | 4048879285162 |
| eClass | 27279218 |
| Packaging unit | 1 |