



## Main

Range compatibility	Lexium ILA Lexium ILE Lexium ILS Lexium SD3 Lexium 32 Lexium 62 ILM Lexium 52 Lexium 62
Product or component type	Angular planetary gearbox
Gear box type	Straight teeth
Device short name	GBY
Product compatibility	ILM MH3 SH3 ILS (57 mm, 3 motor stacks) ILS (57 mm, 2 motor stacks) ILS (57 mm, 1 motor stacks) ILA (57 mm, 2 motor stacks) ILA (57 mm, 1 motor stacks) ILE (66 mm, 2 motor stacks) ILE (66 mm, 1 motor stacks) BRS3 BSH (55 mm, 3 motor stacks) BSH (55 mm, 2 motor stacks) BSH (55 mm, 1 motor stacks)
Gearbox external diameter	60 mm
Reduction ratio	20:1

## Complementary

Torsional backlash	< 18 arc.min
Torsional rigidity	2.5 N.m/arcmin
Housing colour	Black
Housing material	Black anodized aluminium
Shaft material	C 45
Additional information	Lubricated for life
Service life in hours	30000 h at 100 rpm at 30 °C
Mounting position	Any position
Efficiency	92 %
Maximum radial force Fr	340 N at 100 rpm, force applied at mid-distance from output shaft during 30000 hour at 30 °C
Maximum axial force Fa	450 N at 100 rpm, during 30000 hour at 30°C
Moment of inertia	0.186 kg.cm <sup>2</sup>
Continuous output torque	44 N.m at 100 rpm at 30 °C
Maximum output torque	70 N.m at 100 rpm at 30 °C
Product weight	1.9 kg

## Environment

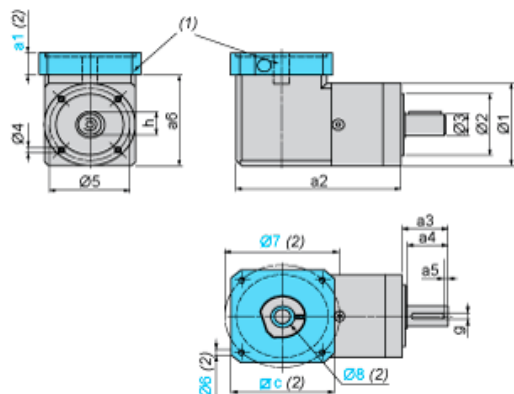
Noise level	70 dB at 1 m, no-load
IP degree of protection	IP54 on shaft output
Ambient temperature for operation	-25...90 °C

The information provided in this documentation contains general descriptions and/or technical characteristics of the performance of the products contained herein. This documentation is not intended as a substitute for and is not to be used for determining suitability or reliability of these products for specific user applications. It is the duty of any such user or integrator to perform the appropriate and complete risk analysis, evaluation and testing of the products with respect to the relevant specific application or use thereof. Neither Schneider Electric Industries SAS nor any of its affiliates or subsidiaries shall be responsible or liable for misuse of the information contained herein.

## Offer Sustainability

Sustainable offer status	Not Green Premium product
RoHS (date code: YYWW)	Compliant - since 1129 - <a href="#">Schneider Electric declaration of conformity</a>
REACH	Reference not containing SVHC above the threshold

Dimensions with Servo Motor Adaptation Kit



- (1) GBK adaptation kit  
 (2) GBK adaptation kit related dimensions a1, c, Ø6, Ø7, Ø8 depend on the gearbox and servo motor combination  
 Ø8 shaft end adaptor in case motor shaft diameter is smaller than gearbox input coupling diameter

Values in mm

a2	a3	a4	a5	h	g	Ø1	Ø2	Ø3	Ø4	Ø5	a6
124.5	35	30	2.5	16	5	60	40 h7	14 h7	M5 x 8	52	80.3

Values in in.

a2	a3	a4	a5	h	g	Ø1	Ø2	Ø3	Ø4	Ø5	a6
4.90	1.38	1.18	0.09	0.63	0.19	2.36	1.57 h7	0.55 h7	M5 x 0.31	2.05	3.16