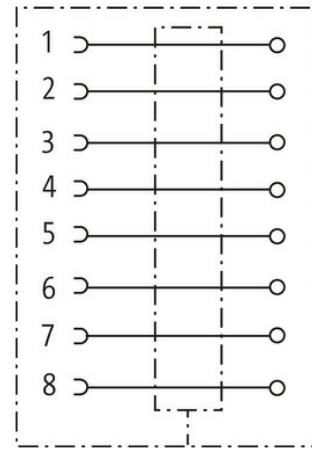


M12 female receptacle 90° Y-cod. solder terminal

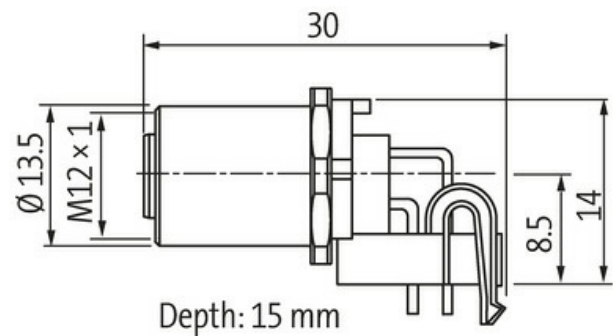
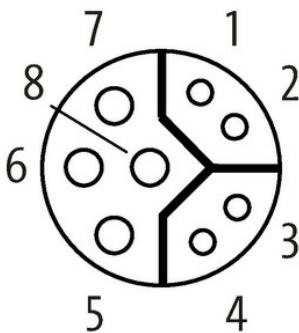
M12 Flange female 90°
Ethernet CAT5
M12, 8-pole
Y-coded
shielded
Solder connection
Front mounting

[Link to Product](#)

Illustration



Female



Product may differ from Image




Form

Form 15711

Technical Data

Operating voltage	max. 30 V DC
Operating current per contact	0.5 A (Data), 6 A (Power)
Transfer parameters	CAT5, Class D (ISO/IEC 11801:2002), (EN 50173-1)

The information in this brochure has been compiled with the utmost care.
Liability for the correctness completeness and topicality of the information is restricted to gross negligence. Version: 03/22

Transfer rate	up to 100 Mbit/s full duplex
Material group	IEC 60664-1, category I
Coding	Y-coded
Locking of ports	Screw thread (M12×1 mm) recommended torque 0.6 Nm, self-securing
Compression gland	M12 (SW14)
Protection	IP67 inserted and tightened (EN 60529)
Locking material	Zinc die casting, matte nickel plated

General data

Pollution Degree	3
Temperature range	-40...+85 °C

Commercial data

country of origin	DE
customs tariff number	85366990
EAN	4048879495431
eClass	27279220
Packaging unit	1.000