

VALVE PLUG SUPPRESSOR FORM BI - 11MM

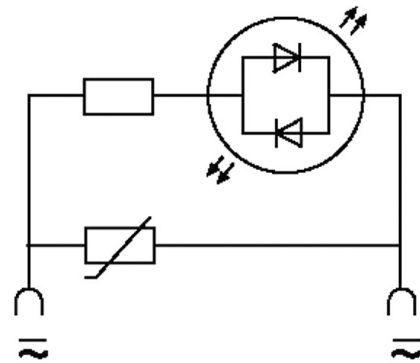
Varistor and LED, 24VDC/50VA/W

24 V AC/DC

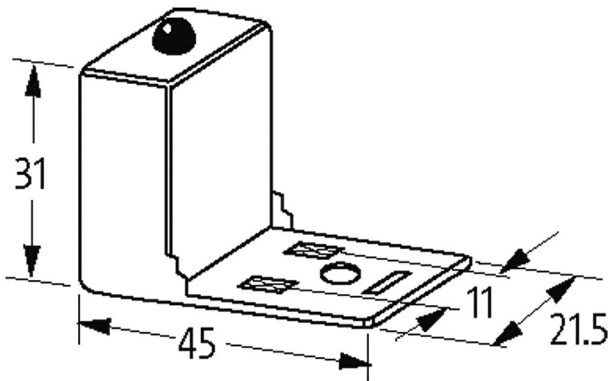
VDR + LED

Remove plug gasket when fitting adapter. Other LED colors on request.

Note PIN arrangement (PE at cable outlet of connector). 180° turned version on request.

[Link to Product](#)**Illustration**

LED + VDR



Product may differ from Image

Technical Data

Switch off peak	max. 45 V
LED display	(yellow opac)
Input voltage	12...25 V AC/DC
max. power (W)	100 W (VA)
Switch off delay time	min. 15 ms

General data

Material (contact)	Silvered bronze
Temperature range	-20...+60 °C
Housing	Polyamide black, flame retardant, temperature resistance up to 130 °C
Dimensions H×W×D	31×45×21.5 mm

Commercial data

country of origin	CZ
-------------------	----

customs tariff number	85363010
EAN	4048879011914
eClass	27371013
Packaging unit	1.000