

M23 female 90° with cable

PUR 8x0.5+3x1.0 gy UL/CSA+drag ch. 30m

Female 90°

M23, 19-pole

11-pole used

for 4-way distribution boxes, 5-pole

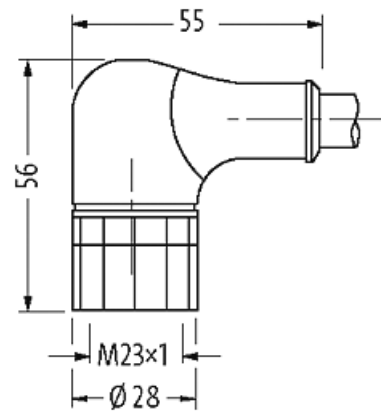
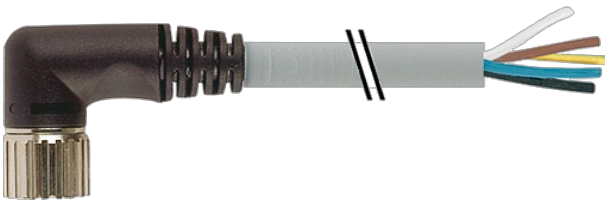
Further cable lengths on request.

Plastic housings with good resistance against chemicals and oils.

The resistance to aggressive media should be individually tested for your application. Further details on request.

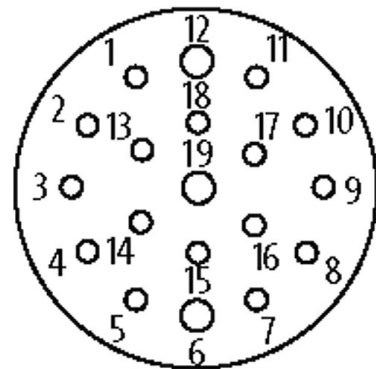
[Link to Product](#)

Illustration



15	white
7	gray/pink
5	green
	red/blue
4	yellow
16	white/green
8	gray
3	brown/green
14	brown 1.0 mm ²
19	blue 1.0 mm ²
6	green/yellow 1.0 mm ²
12	

Female



Product may differ from Image

Form

Form 23311

Technical Data

Operating voltage	max. 125 V AC/DC
Operating current per contact	max. 7.5 A
Rated surge voltage	2.5 kV
Material group	IEC 60664-1, category I
Locking of ports	Screw thread (M23x1 mm) recommended torque 2.0 Nm
Compression gland	M23 (SW27)
Protection	IP65/IP67

The information in this brochure has been compiled with the utmost care.

Liability for the correctness completeness and topicality of the information is restricted to gross negligence. Version: 03/22

Locking material	Brass, nickel plated
Material	PUR
suitable for corrugated tube (internal Ø)	16 mm

General data

Temperature range	-25...+85 °C, depending on cable quality
-------------------	--

Cables

Cable number	448
No./diameter of wires	8× 0.5 + 3× 1.0 mm ²
Wire isolation	TPE (grpk, wh, rdbl, gn, whgn, ye, brgn, gr, br, bl, gnye)
C-track properties	5 Mio.
Jacket Color	gray
Material (jacket)	PUR (UL/CSA)
Outer Ø	9.1 mm ±5%
Bend radius (moving)	10× outer Ø
Temperature range (fixed)	-40...+90 °C
Temperature range (mobile)	-40...+90 °C
Material (wire)	Cu wire, bare
Construction (core)	64× 0.1 mm (0.5 mm ²), 128× 0.1 mm (1.0 mm ²); (multi-strand wire class 6)
Bend radius (fixed)	5× outer Ø
Approval (cable)	UL (AWM-Style 20233), CSA

Commercial data

country of origin	DE
customs tariff number	85444290
EAN	4048879782166
eClass	27279218
Packaging unit	1