

## SUPPRESSOR FOR CONTACTORS

Diode combination, 240 VDC, 50 W

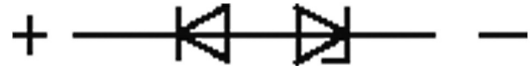
24 V DC

Z-Diode

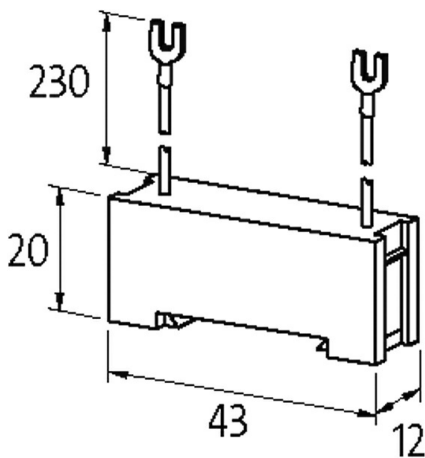
For other configurations and voltages, please inquire.

### [Link to Product](#)

#### Illustration



Diode/Z-Diode



Product may differ from Image



#### Technical Data

Input voltage	0...240 V DC
max. power (W)	50 W (VA)

#### General data

Temperature range	-20...+70 °C
Dimensions H×W×D	20×43×12 mm

#### Appropriate contactors

universal

Commercial data	
country of origin	CZ
customs tariff number	85363010
EAN	4048879018258
eClass	27371013
Packaging unit	1.000