

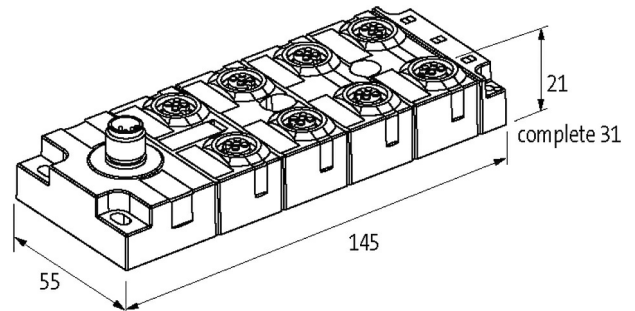
## Tree 8TX IP67 Metal - Unmanaged Switch - 8xM12

8 port unmanaged switch

Connection cables are in the online shop under "Connection Technology".

### [Link to Product](#)

#### Illustration



Product may differ from Image



#### Technical Data

Operating voltage	2x 18...30 V DC, redundancy
Transfer rate	10/100 Mbit/s full duplex
Operating modes	Autocrossing Autonegotiation

#### General data

Mounting method	4 hole screw mounting
Temperature range	-25...+60 °C (storage temperature -40...+80 °C)
Housing	Zinc die casting, matte nickel plated
Protection	IP67
Dimensions HxWxD	145x55x31 mm

#### Connections

Fieldbus	8x M12 (female), D-coded
Supply	1x M12 (male), A-coded

#### Switch Management

Protocols	no
Port Mirroring	no
VLAN (QoS) IEEE 802.p	yes
Alarm contact	no
Remote maintenance	no
Webserver	no
Switch Form	Unmanaged Switch

#### Diagnostic

Communication status	via LED
Monitoring - no voltage	yes

#### Commercial data

country of origin	DE
customs tariff number	85176200
EAN	4048879536509

---

eClass	19170106
Packaging unit	1.000

---