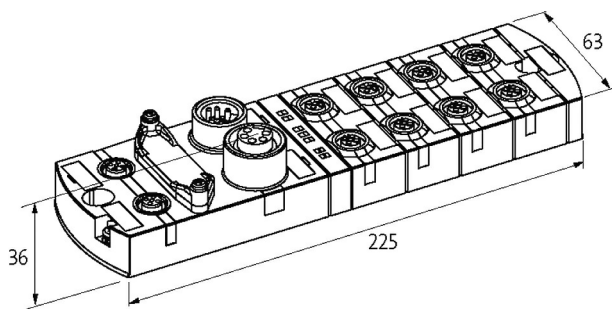


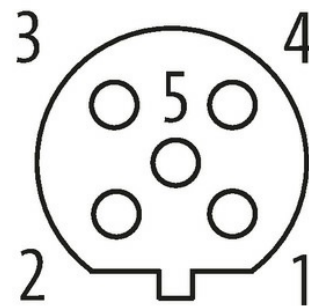
Managed Switch 10x10/100BT IP67 Metal M12

[Link to Product](#)

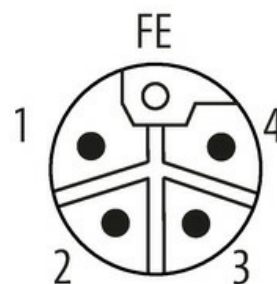
Illustration



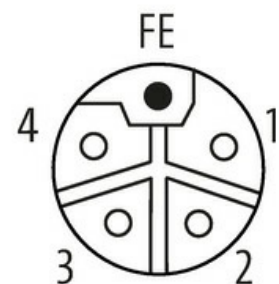
Female



Male



Female



Product may differ from Image

Technical Data

Operating voltage	9...36 V
Transfer rate	10/100 Mbit/s full duplex
Operating modes	Autocrossing Autonegotiation

General data

Mounting method	2-hole screw mounting
Temperature range	-25...+70 °C, ...+70 °C derating (storage temperature -40...+85 °C)
Housing	Metal
Protection	IP67
Dimensions H×W×D	37×63×225 mm

Connections

Fieldbus	10× M12 (female), D-coded
Supply	2× M12 Power, 5-pole, L-coded, 2× max. 16 A

Switch Management

Protocols	DHCP, SNMP (v1, v2c, v3), RSTP, STP, LLDP, NTP, RMON, SSH (CLI) Syslog
NAT	yes
Port Mirroring	yes

VLAN (QoS) IEEE 802.p	yes
Alarm contact	no
Remote maintenance	Open VPN
Websserver	HTTP, HTTPS
Switch Form	Managed Switch
Diagnostic	
Communication status	via LED, LLDP
Monitoring - no voltage	yes
Commercial data	
country of origin	DE
customs tariff number	85176200
EAN	4048879862523
Packaging unit	1.000