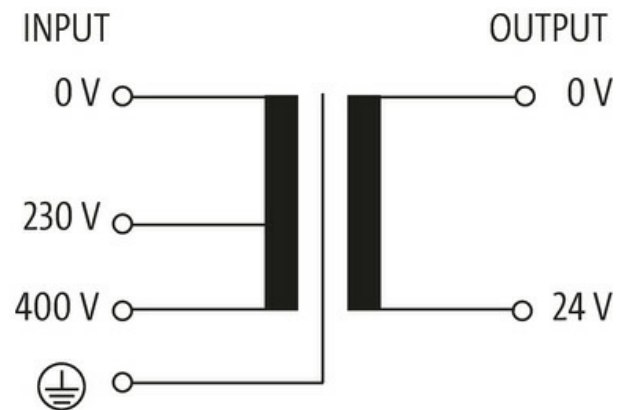


MST 1-PHASE SAFETY TRANSFORMER

P: 500VA IN: 230/400VAC OUT: 24VAC

Single-phase safety transformer
500 VA
Isolation class T 40/B
Other voltages on request.

[Link to Product](#)**Illustration**

Product may differ from Image

**General data**

Standards	EN 61558-1, EN 61558-2-6, EN 62041 category 0
Mounting method	Key-hole mounting
Temperature range	-20...+40 °C (storage temperature -40...+80 °C)
Drill hole Ø	5.8×10 mm
Fixing centers a×b×c	87×104×5.8 mm
Dimensions H×W×D	108×135×133.6 mm

Output	
Output voltage	24 V AC (SELV)
Output rating	500 VA
Input	
Input voltage	230/400 V AC
Inrush current	81 A (230 V AC); 17.3 A (400 V AC)
Short-circuit current	40.4 A (230 V AC); 21.2 A (400 V AC)
Input current	2.4 A (230 V AC); 1.4 A (400 V AC)
Frequency	50...60 Hz
Commercial data	
country of origin	CZ
customs tariff number	85043180
EAN	4048879078597
eClass	27031302
Packaging unit	1.000