

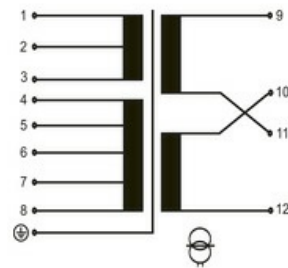
MST 1-PHASE CONTROL AND ISOLATION TRANSFORMER

P: 630VA IN: 208...550VAC OUT: 2x115VAC

Single-phase - Control and Isolation Transformers
630 VA
Isolation class T 40/B
Other voltages on request.

Link to Product

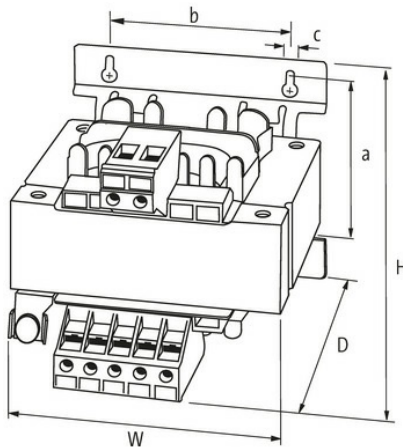
Illustration



Pri. und Sec. Anschluß: / Pri. and Sec. connection

Eingang [V] / Input	Klemme: / Clamps	Brücke: / Bridge	I:
208	1-2	1+4 / 3+7	3,3 A
230*	5-7	1+4 / 3+7	3,0 A
380	1-6	2+5	1,8 A
400	1-6	2+4	1,7 A
420	1-6	3+5	1,6 A
440	1-6	3+4	1,6 A
460	1-7	2+4	1,5 A
480	1-7	3+5	1,4 A
500	1-7	3+4	1,4 A
525	1-8	3+5	1,3 A
550	1-8	3+4	1,3 A
2x 115	9-11 u.	-	2,8 A
115	9-12	9+10/11+12	5,5 A
230*	9-12	10+11	2,8 A

*Auslieferungszustand / delivered



Product may differ from Image



General data

Standards	EN 61558-1, EN 61558-2-4, EN 62041 category 0
Mounting method	Long-hole mounting or DIN-rail mountable TH35 (EN 60715)
Temperature range	-20...+40 °C (storage temperature -40...+80 °C)
Test isolation voltage	4 kV (prim./sec.)
Drill hole Ø	4.8×8.4 mm
Fixing centers a×b×c	107.5×122 mm

Dimensions H×W×D 129.4×150×150 mm

Output

Output voltage 1× 230, 1× 115, 2× 115 V AC
Output rating 630 VA

Input

Input voltage 208, 230, 380, 400, 420, 440, 460, 480, 500, 525, 550 V AC
Inrush current 12 A (230 V AC)
Short-circuit current 15.6 A (230 V AC)
Input current 3.0 A (230 V AC); 1.5 A (460 V AC)
Frequency 50...60 Hz

Commercial data

country of origin CZ
customs tariff number 85043180
EAN 4048879449120
eClass 27031302
Packaging unit 1.000