

B16 male 6+2-pole, Push-in, 800/500 V, 16 A

B16

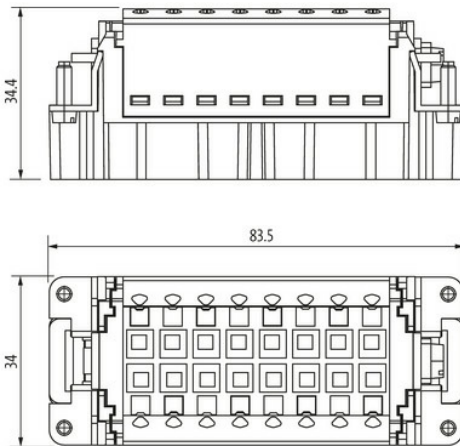
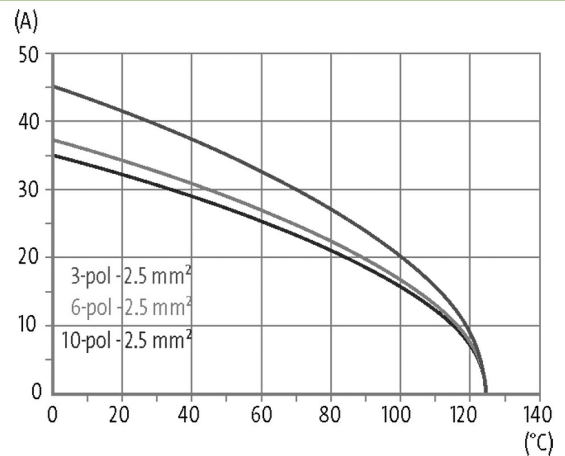
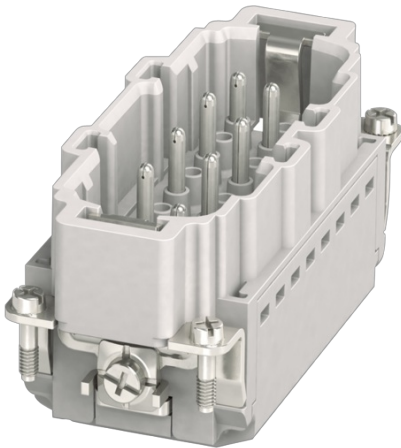
Male

6+2-pole

Push-In terminals

Technical data will be only guaranteed with Murrelektronik components.

Please use wire end ferrule.

[Link to Product](#)**Illustration**

Product may differ from Image

**Technical Data**

Operating voltage	830/500 V AC/DC
Rated surge voltage	8.0/6.0 kV
Operating current	16 A
No. of poles	6 + 2 + PE
Mating cycles	min. 500

Connection	Push-In terminals
Connection cross section	0.14...2.5 mm ² (AWG 26...13)
Stripping length	8...10 mm
Over voltage category	III

General data

Material (contact)	Brass
Material (contact surface)	Ag
Pollution Degree	3
Temperature range	-40...+125 °C
Material (contact carrier)	PA
Flammability class	V-0 (acc. to UL 94)
Size	B16
Type	Male
Dimensions H×W×D	34.4×34×83.5 mm

Cables

Current load capacity	see derating curve
-----------------------	--------------------

Commercial data

country of origin	CN
customs tariff number	85389099
EAN	4048879665063
eClass	27143424
Packaging unit	1.000