

**Mini (7/8) 5 pole, Male (Ext.) 90°/Female 90°**

PVC 5x16AWG ye UL/CSA, STOOW

Male 90° – female 90°

7/8" – 7/8", 5-pole

Power cable

USA

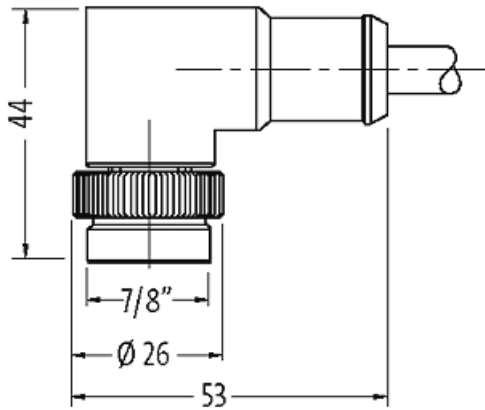
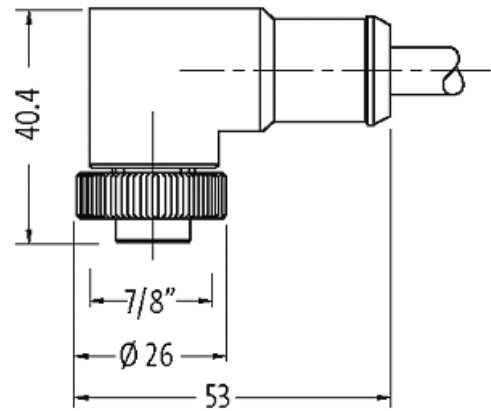
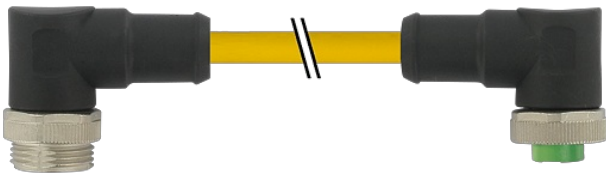
Further cable lengths on request.

Plastic housings with good resistance against chemicals and oils.

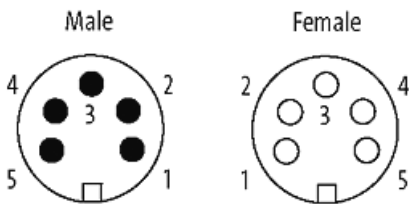
The resistance to aggressive media should be individually tested for your application. Further details on request.

**Link to Product**

**Illustration**



|   |        |     |
|---|--------|-----|
| 1 | white  | C 1 |
| 2 | red    | C 2 |
| 3 | green  | C 3 |
| 4 | orange | C 4 |
| 5 | black  | C 5 |



Product may differ from Image



\* only for products with UL/CSA approved cable

| Form                          |   |
|-------------------------------|---|
| Form                          | A5A31   |
| Technical Data                |   |
| Operating voltage             | max. 600 V AC/DC  |
| Operating current per contact | max. 9 A  |
| Locking of ports              | Screw thread 7/8" (recommended torque 1.5 Nm) self-securing |
| Compression gland             | 7/8" (SW24)   |
| Protection                    | IP68 inserted and tightened (EN 60529)                      |
| Locking material              | Zinc die casting, matte nickel plated                       |
| Material                      | PUR   |
| General data                  |   |
| Temperature range             | -25...+80 °C, depending on cable quality                    |
| Cables                        |   |
| Cable number                  | UBD   |
| No./diameter of wires         | 5× 1.5 mm <sup>2</sup>                                      |
| Construction (core)           | approx. 3.1 mm  |
| Wire isolation                | PVC (bk, or, gn, rd, wh)                                    |
| Jacket Color                  | yellow  |
| Material (jacket)             | PVC (UL/CSA)  |
| Outer Ø                       | 12.7 mm ±5%   |
| Bend radius (fixed)           | 10× outer Ø   |
| Bend radius (moving)          | 15× outer Ø   |
| Temperature range (fixed)     | -50...+105 °C   |
| Temperature range (mobile)    | -20...+90 °C  |
| Commercial data               |   |
| customs tariff number         | 85444290  |
| EAN                           | 4048879635523   |
| eClass                        | 27279218  |
| Packaging unit                | 1   |