

**M12 male 0° / M12 fem. 0° shielded 8p.**

Specification: 6FX8002-2DC34-1AC0

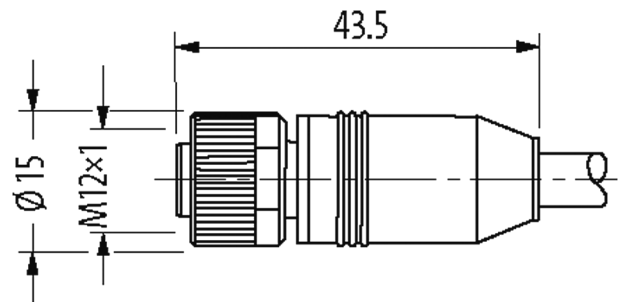
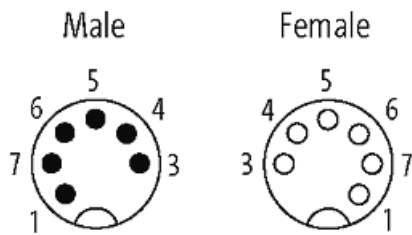
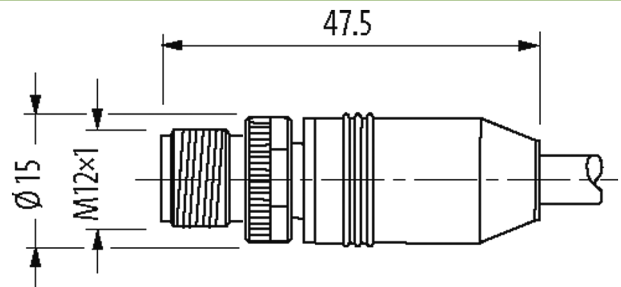
Male straight – female straight

M12 – M12, 8-pole

Further cable lengths on request.

Plastic housings with good resistance against chemicals and oils.

The resistance to aggressive media should be individually tested for your application. Further details on request.

**Link to Product****Illustration**

Product may differ from Image

**Form**

Form SS081

**Technical Data**

Operating voltage	max. 30 V AC/DC
Operating current per contact	max. 2 A
Coding	A-coded
Locking of ports	Screw thread (M12x1 mm) recommended torque 0.6 Nm, self-securing
Compression gland	torque calibrated 0.6 Nm
Protection	IP67
Material	Brass, nickel plated

**General data**

Temperature range -25...+85 °C, depending on cable quality

**Cables**

Cable number	880
No./diameter of wires	2x 2x 0.20 + 1x 2x 0.38
Wire isolation	PO (gnye, pkbl, rdbk)
C-track properties	5 Mio.
Jacket Color	green
Material (jacket)	PUR (UL/CSA)

Outer Ø	6.9 mm ±5%
Bend radius (moving)	10× outer Ø
Temperature range (fixed)	-20...+80 °C
Temperature range (mobile)	-20...+60 °C
Shield	yes
optical shield cover	min. 85%
Material (jacket)	PUR
Torsion stress	±30°/m
Specification	MC800+ (6FX8008-1DC00)

**Commercial data**

country of origin	DE
customs tariff number	85444290
EAN	4048879662901
eClass	27061801
Packaging unit	1