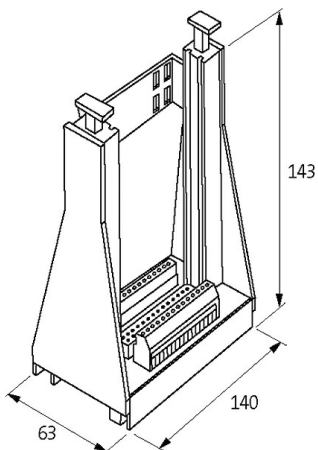
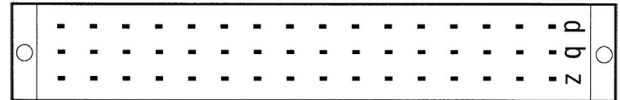


EUROCARD HOLDER

SKP 48 pole/3-F(b+d+z)

Link to Product

Illustration



Product may differ from Image

Technical Data

Operating voltage	250 V AC
Operating current	max. 4 A
Material group	EN 60664-1 over voltage, category I
Material	Plastic, flame retardant

General data

Mounting method	DIN-rail mountable (EN 60715) or screw fixing
Connection	4 mm ² single core
Dimensions H×W×D	63×137×170 mm

Description

Functional description	To insert the card first press down the 2 yellow buttons. Then slide the Eurocard into the guide slots pushing until fully engaged. The card is now locked into position. It can be removed by pressing down on the 2 yellow buttons.
------------------------	---

Commercial data

country of origin	CZ
-------------------	----

customs tariff number	85366990
-----------------------	----------

EAN	4048879038584
-----	---------------

eClass	27260710
--------	----------

Packaging unit	1.000
----------------	-------