

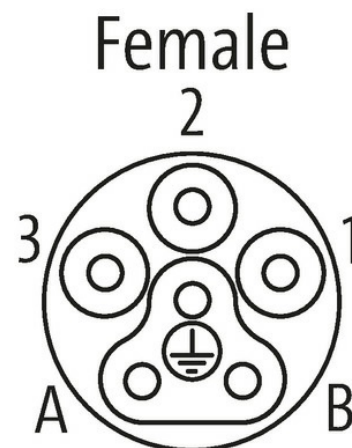
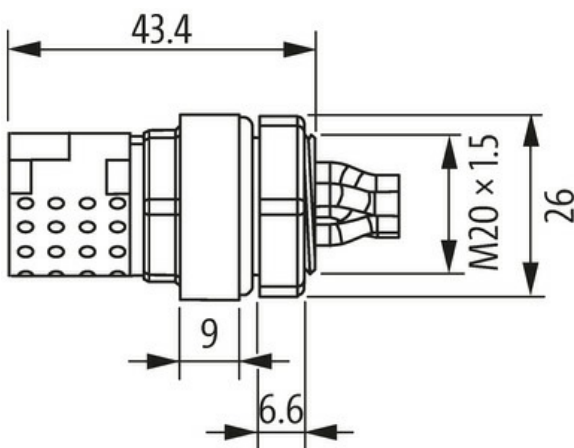
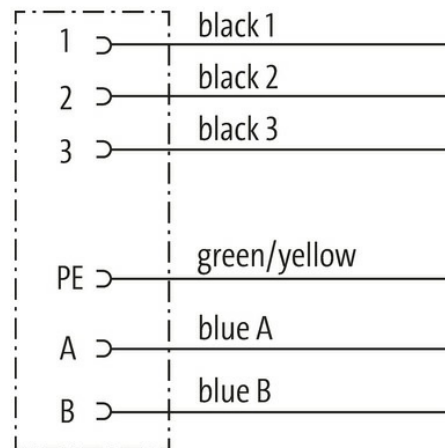
**MQ15-X-Power fem. receptable shielded front mount**

wires PVC 6x1.5 1m

Flange female  
MQ15, 6-pole  
with multi-strand wire  
shielded housing  
Front mounting

Plastic housings with good resistance against chemicals and oils.

The resistance to aggressive media should be individually tested for your application. Further details on request.  
Further cable lengths on request.

[Link to Product](#)**Illustration**

Product may differ from Image

**Form**

Form P8391

**Technical Data**

Operating voltage	max. 600 V AC (Power); max. 63 V AC/DC (Signal)
Rated surge voltage	2.5 kV
Operating current per contact	max. 13 A (Power); max. 10 A (Signal)
No. of poles	6
Mating cycles	≥ 500

LED display	no
Locking of ports	Quick connection, 1/4 turn
Protection	IP67 inserted and tightened (EN 60529)
Material	Brass, nickel plated
Configuration	fully used

#### General data

Mounting method	inserted, tightened
Material (contact)	Copper alloy
Material (contact surface)	Ag
Temperature range	-40...+90 °C, depending on cable quality
Material (contact carrier)	PA

#### Cables

Cable identification	P83
Diameter (core)	6 × 1.5 mm <sup>2</sup>
AWG	similar to AWG 16
Material (wire isolation)	PVC
Wire-Ø incl. isolation	3.1 mm ±5%
Color/numbering of wires	PVC (bk, bl, num, gnye)
chemical resistance	good resistance to oil, gasoline and chemicals
thermal resistance	flame retardant
Test voltage	2500 V AC
Bend radius (fixed)	5 × outer Ø

#### Commercial data

country of origin	DE
customs tariff number	85444290
EAN	4048879798013
eClass	27279220
Packaging unit	1.000