

## M23 SIGNAL CABLE

Specification: 6FX8002-2AD04-1AG0

Signal cable for SINAMICS S120 and motors with connection M23

Female straight – male straight

M23 – M23, 17-pole  
shielded

without cable sleeves

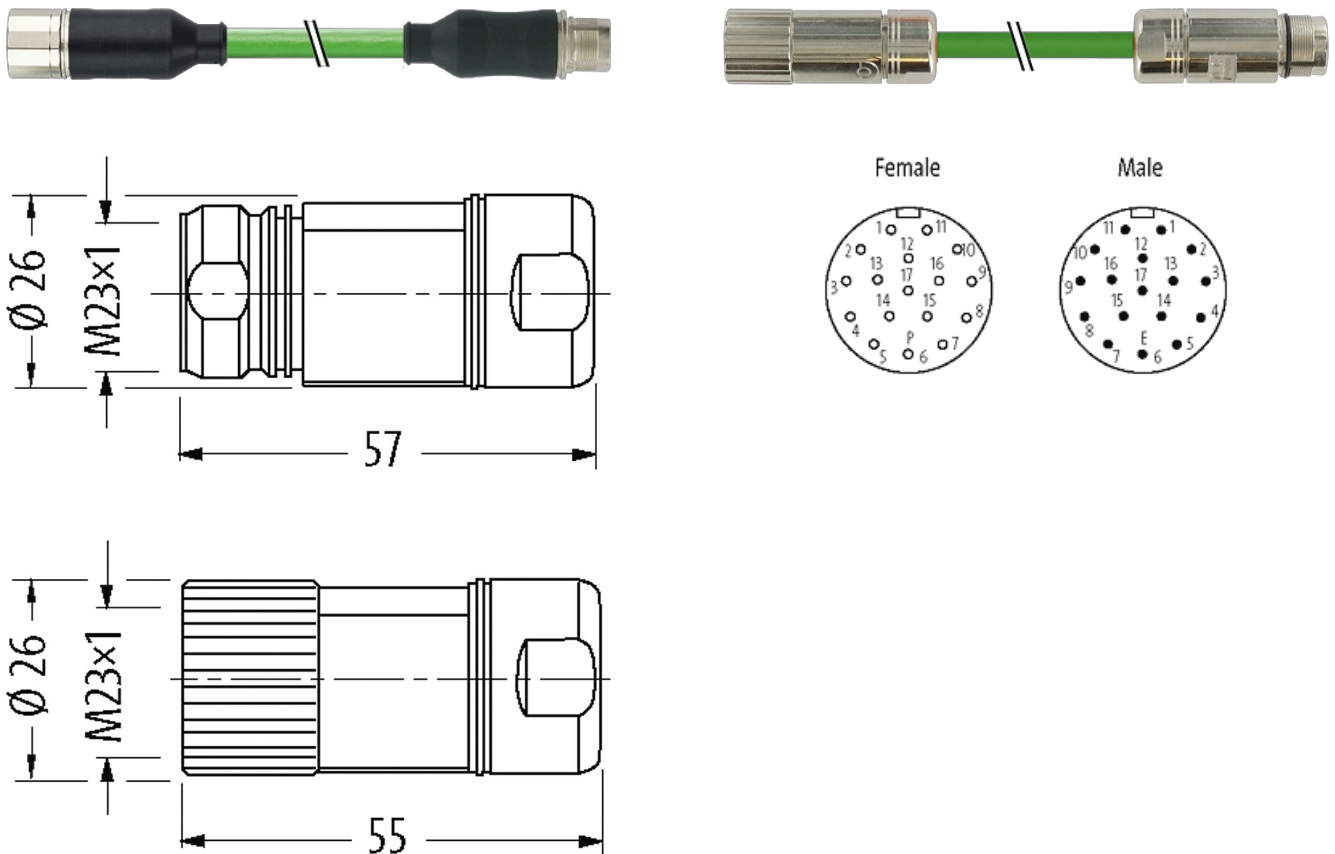
Further cable lengths on request.

Plastic housings with good resistance against chemicals and oils.

The resistance to aggressive media should be individually tested for your application. Further details on request.

### Link to Product

#### Illustration



Product may differ from Image

#### Form

Form SS171

#### Technical Data

Operating voltage	max. 30 V AC/DC
Rated surge voltage	0.5 kV
Material group	IEC 60664-1, category I
Locking of ports	Screw thread (M23x1 mm) recommended torque 2.0 Nm, self-securing
Protection	IP65 and IP67 when plugged and screwed down (EN 60529)
Locking material	Brass, nickel plated
suitable for corrugated tube (internal $\varnothing$ )	without

#### General data

Pollution Degree	3
Temperature range	-25...+85 °C, depending on cable quality

#### Cables

Cable number	882
No./diameter of wires	(3× (2× 0.14D) + 2× 0.5 + 4× 0.14)-C
Wire isolation	PP (ye, gn, bk, br, rd, or, brrd, brbl, gr, bl, whye, whbk)
C-track properties	10 Mio.
Jacket Color	green
Material (jacket)	PUR (UL/CSA)
Outer Ø	8.9 mm ±5%
Bend radius (fixed)	10× outer Ø
Bend radius (moving)	12× outer Ø
Temperature range (fixed)	-50...+80 °C
Temperature range (mobile)	-35...+70 °C
Shield	yes

#### Commercial data

country of origin	DE
customs tariff number	85444290
EAN	4048879648677
eClass	27279218
Packaging unit	1