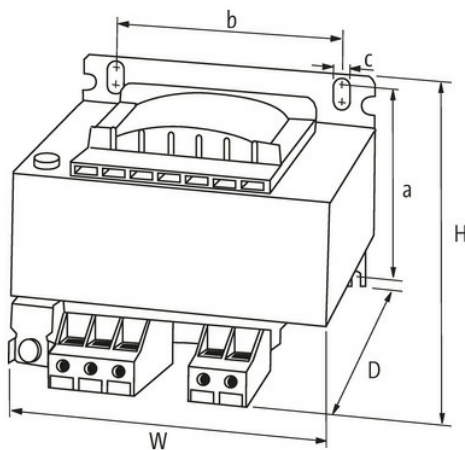
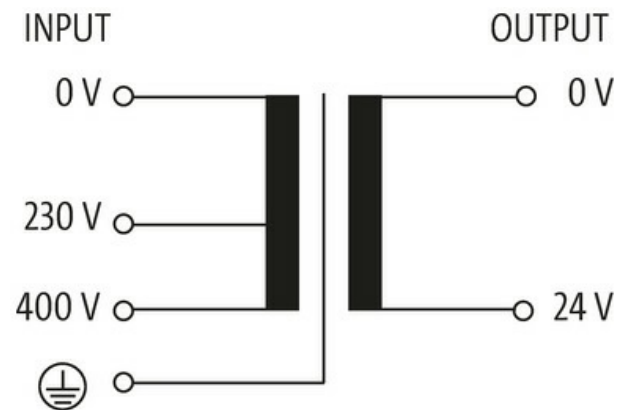


**MTS 1-PHASE SAFETY TRANSFORMER**

P: 100VA IN: 230/400VAC OUT: 24VAC

Single-phase safety transformer  
100 VA  
Isolation class T 40/B  
Other voltages on request.

[Link to Product](#)**Illustration**

Product may differ from Image

**General data**

Standards	EN 61558-1, EN 61558-2-6, EN 62041 category 0
Mounting method	Long-hole mounting or DIN-rail mountable TH35 (EN 60715)
Temperature range	-20...+40 °C (storage temperature -40...+80 °C)
Test isolation voltage	4 kV (prim./sec.)
Drill hole Ø	4.8×8.4 mm
Fixing centers a×b×c	64.5×64×4.8 mm

Dimensions H×W×D 86×84×98 mm

**Output**

Output voltage 24 V AC (SELV)  
Output rating 100 VA

**Input**

Input voltage 230/400 V AC  
Inrush current 3.5 A (230 V AC); 2 A (400 V AC)  
Short-circuit current 5 A (230 V AC); 2.98 A (400 V AC)  
Input current 0.54 A (230 V AC); 0.31 A (400 V AC)  
Frequency 50...60 Hz

**Commercial data**

country of origin CZ  
customs tariff number 85043180  
EAN 4048879078535  
eClass 27031302  
Packaging unit 1.000