

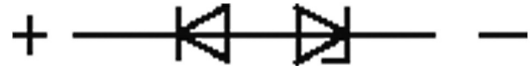
**SUPPRESSOR FOR CONTACTORS**

Diode combination, 24 VDC, 75 W

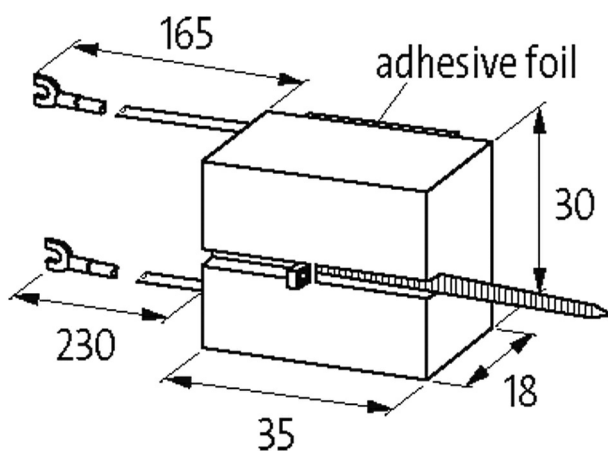
24 V DC

Diode/Z-Diode

For other configurations and voltages, please inquire.

[Link to Product](#)**Illustration**

Diode/Z-Diode



Product may differ from Image

**Technical Data**

Input voltage	12...30 V DC
Material	Flame retardant plastic acc. to (UL 94)
Damping factor	approx. 1.5× UN
Connection wires	self-securing cable forks
max. power (W)	75 W

**General data**

Temperature range	-20...+70 °C
-------------------	--------------

The information in this brochure has been compiled with the utmost care.  
Liability for the correctness completeness and topicality of the information is restricted to gross negligence. Version: 03/22

Dimensions H×W×D 35×30×18 mm

**Appropriate contactors**

universal

**Commercial data**

country of origin	CZ
customs tariff number	85363010
EAN	4048879018449
eClass	27371013
Packaging unit	1.000