

**MEN POWER SUPPLY 1/2-PHASE, SMOOTHED**

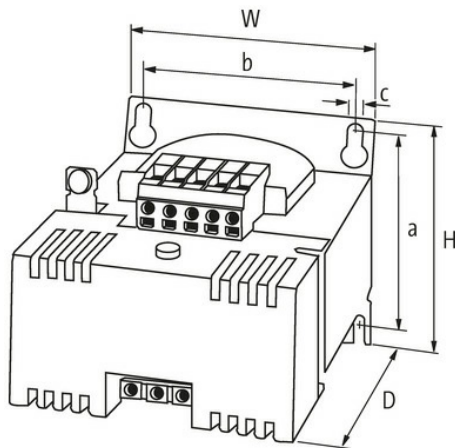
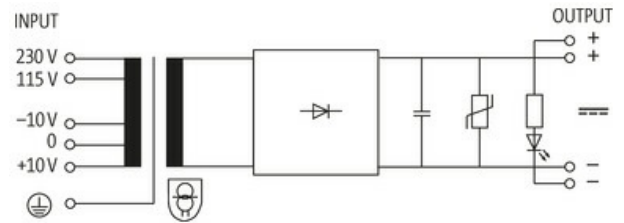
IN: 115/230+/-10VAC OUT: :24V/20ADC

Current: 20 A

Output rating: 480 W

This power supply units meet the (EN 61000-3-2) standard for harmonic current.

For any mounting position at vertical wall.

[Link to Product](#)**Illustration**

Product may differ from Image

**General data**

Standards	EN 55011 A
Mounting method	Key-hole mounting
Temperature range	-20...+60 °C, no condensation
Fixing centers a×b×c	102×135×7 mm
Dimensions H×W×D	127×174×213.5 mm

**Output**

The information in this brochure has been compiled with the utmost care. Liability for the correctness completeness and topicality of the information is restricted to gross negligence. Version: 03/22

Output voltage	24 V DC (SELV)
Output current (Ta 60/40 °C)	max. 20 A (115 V AC); 24 A (230 V AC)
Output suppression	LED, VDR and smoothing capacitor
Ripple	max. 5% eff/rms

**Input**

Input voltage	115/230 V AC $\pm$ 10 V AC
Input fuse (external)	10 A (T) (115 V AC); 5 A (T) (230 V AC)
Input current	7.4 A (115 V AC); 3.7 A (230 V AC)
Frequency	50..60 Hz

**Commercial data**

country of origin	CZ
customs tariff number	85044090
EAN	4048879080019
eClass	27049002
Packaging unit	1.000