

ABB CONTACTOR SUPPRESSOR

Diode, 0...240VDC

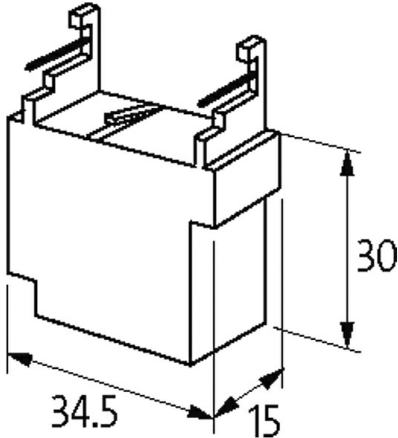
24...240 V DC

Diode

For other configurations and voltages, please inquire.

[Link to Product](#)**Illustration**

Diode



Product may differ from Image

**Technical Data**

Input voltage	24...240 V DC
Material	Flame retardant plastic acc. to (UL 94)
Damping factor	approx. 1.5× UN
Connection wires	Plug contact

General data

Temperature range	-20...+70 °C
-------------------	--------------

Dimensions H×W×D 40×34.5×15 mm

Appropriate contactors

A 9...A 16

Commercial data

country of origin	CZ
customs tariff number	85363010
EAN	4048879017756
eClass	27371013
Packaging unit	1.000