

## MOTOR SUPPRESSOR

Varistor, 3x575VAC/4kW

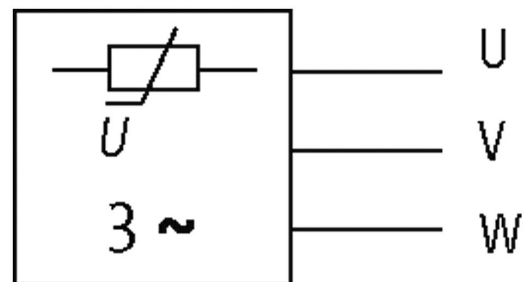
3 × 575 V AC

VDR

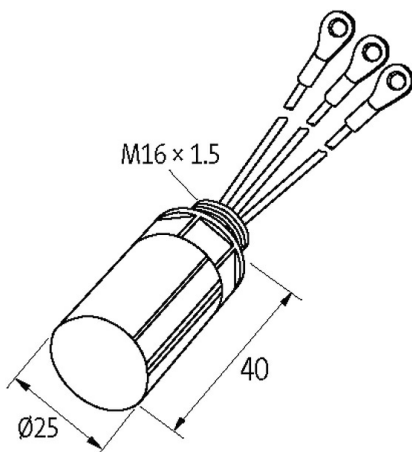
Suppressors for other voltages, frequencies, and motor ratings available on request. Do not use RC motor suppressors with frequency inverters.

### [Link to Product](#)

#### Illustration



VDR



Product may differ from Image



#### Technical Data

Input voltage	575...575 V AC
Material	Flame retardant plastic acc. to (UL 94)
Ring terminals	isolated M6
Potting compound	2-component epoxy

#### General data

Mounting method	on motor terminal box with plug connector
Temperature range	-20...+60 °C
Connection	approx. 100 mm, single cores 0.5 mm <sup>2</sup>
Dimensions H×W×D	25×25×40 mm

**Commercial data**

country of origin	CZ
customs tariff number	85363010
EAN	4048879018913
eClass	27371013
Packaging unit	1.000