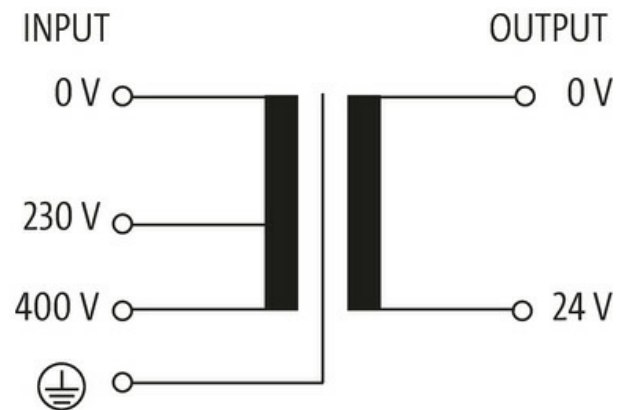


**MST 1-PHASE SAFETY TRANSFORMER**

P: 630VA IN: 230/400VAC OUT: 24VAC

Single-phase safety transformer  
630 VA  
Isolation class T 40/B  
Other voltages on request.

[Link to Product](#)**Illustration**

Product may differ from Image

**General data**

Standards	EN 61558-1, EN 61558-2-6, EN 62041 category 0
Mounting method	Key-hole mounting
Temperature range	-20...+40 °C (storage temperature -40...+80 °C)
Test isolation voltage	4 kV (prim./sec.)
Drill hole Ø	7×11 mm
Fixing centers a×b×c	90.6×122×7 mm

The information in this brochure has been compiled with the utmost care.  
Liability for the correctness completeness and topicality of the information is restricted to gross negligence. Version: 03/22

Murrelektronik Ltd. | 5 Albion Street, Pendlebury Industrial Estate, Swinton | Manchester M27 4FG | Fon +44 161 728 3133 | Fax +44 161 728 3130 | shop@murrelektronik.co.uk | shop.murrelektronik.co.uk

Dimensions H×W×D 112.5×150×144.6 mm

**Output**

Output voltage 24 V AC (SELV)  
Output rating 630 VA

**Input**

Input voltage 230/400 V AC  
Inrush current 37 A (230 V AC); 21 A (400 V AC)  
Short-circuit current 77 A (230 V AC); 44 A (400 V AC)  
Input current 2.95 A (230 V AC); 1.7 A (400 V AC)  
Frequency 50...60 Hz

**Commercial data**

country of origin CZ  
customs tariff number 85043180  
EAN 4048879078580  
eClass 27031302  
Packaging unit 1.000