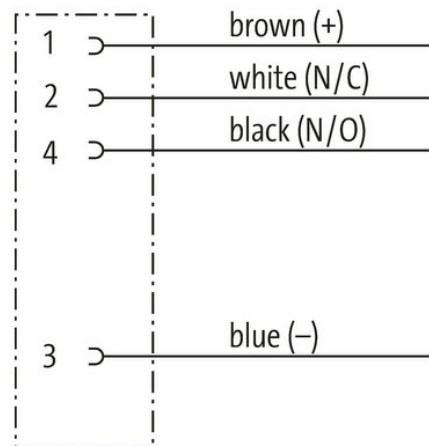
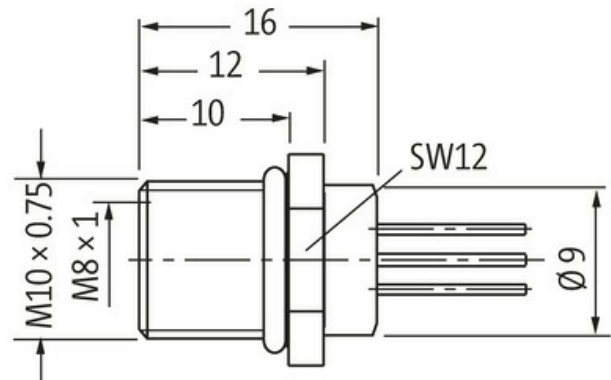
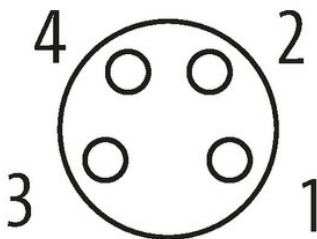


**M8 female recept. A-cod. rear**

PP-wires 4x0.25 0.2m

Flange female  
M8, 4-pole  
Rear mounting  
with multi-strand wire

[Link to Product](#)**Illustration****Female**

Product may differ from Image

**Form**

Form 08585

**Technical Data**

|                               |                      |
|-------------------------------|----------------------|
| Operating voltage             | max. 50 V AC/60 V DC |
| Rated surge voltage           | 1.5 kV               |
| Operating current per contact | max. 4 A             |

|                  |   |
|------------------|---|
| No. of poles     | 4   |
| Material group   | IEC 60664-1, category I   |
| Locking of ports | Screw thread (M8×1 mm) recommended torque 0.4 Nm, self-securing |
| Protection       | IP67 inserted and tightened (EN 60529)                          |

#### General data

|                   |              |
|-------------------|--------------|
| Pollution Degree  | 3            |
| Temperature range | -25...+85 °C |

#### Cables

|                            |                         |
|----------------------------|-------------------------|
| No./diameter of wires      | 4× 0.25 mm <sup>2</sup> |
| Wire isolation             | PP (br, bk, bl, wh)     |
| Outer Ø                    | 1.1 mm ±5%              |
| Cable number               | 969                     |
| Temperature range (fixed)  | -40...+90 °C            |
| Temperature range (mobile) | -25...+90 °C            |
| Bend radius (fixed)        | 5× outer Ø              |

#### Commercial data

|                       |               |
|-----------------------|---------------|
| country of origin     | DE            |
| customs tariff number | 85444290      |
| EAN                   | 4048879435376 |
| eClass                | 27279220      |
| Packaging unit        | 1.000         |