

## MVK I/O COMPACT MODULE, METAL

Profibus DP, 8 safety dig. Out/ 8 multif. channels

Digital inputs/outputs

DO4 DO4 DIO4 DIO4 (K3)

PROFIBUS 12 Mbit/s; M12, B-coded

7/8", 5-pole, max. 9 A

M12, 5-pole, A-coded

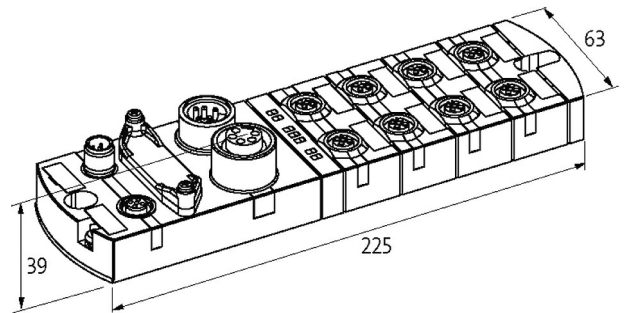
Output groups up to PLd (EN ISO 13849-1) can be switched off via safety relays

Connection cables are in the online shop under "Connection Technology".

Housing fully potted.

### [Link to Product](#)

#### Illustration



Product may differ from Image



#### General data

Mounting method	2-hole screw mounting
Temperature range	0...+55 °C (storage temperature -20...+70 °C)
Protection	IP67
Dimensions HxWxD	39x63x225 mm

#### PROFIBUS

Addressing	Rotary switch 1...99
------------	----------------------

#### Output

Lamp load	10 W
Actuator supply UA	24 V DC (EN 61131-2), 3 circuits, (max. 9 A)
Switching current per output	max. 1.6 A (short-circuit and overload protected)

#### Input

Sensor supply US	24 V DC (EN 61131-2), max. 200 mA (M12 female), short-circuit and overload protected
Type	for 3-wire sensors or mechanical switches, PNP

#### Parameterization

PIN 4	4x input/output
PIN 2	4x Input/Output/Diagnostic

#### Connections

Fieldbus	PROFIBUS 12 Mbit/s; M12, B-coded
Sensor-system/actuator supply	7/8", 5-pole, max. 9 A, safe circuits (1 + 2) via separate 7/8" supply (yellow), 2-pole disconnectable
I/O ports	M12, 5-pole, A-coded

Diagnostic	
Communication status	via LED
Diagnostic via LED	per module and channel
Diagnostic via BUS	per module and channel
Actuator warning	per channel via LED and BUS
Monitoring - under voltage	yes
Monitoring - no voltage	yes
Short-circuit and overload	yes
Cable break	per port
Commercial data	
country of origin	DE
customs tariff number	85389099
EAN	4048879051606
eClass	27242604
Packaging unit	1.000