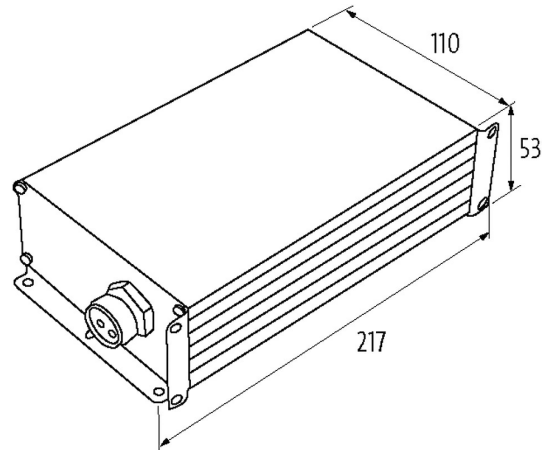


EMPARRO67 HYBRID POWER SUPPLY 1-PHASE, 2-CHANNELS

IN: 100-240VAC OUT: 24VDC/MAX. 10A (1-8/CHANNEL)

[Link to Product](#)**Illustration**

Product may differ from Image

**General data**

Mounting method	6 hole screw mounting
Temperature range	-25...+50 °C, ...+80 °C derating (storage temperature -25...+85 °C)
Protection	IP67
Dimensions HxWxD	216x110x53 mm

Commercial data

country of origin	CZ
customs tariff number	85044090
EAN	4048879844406
eClass	27049002
Packaging unit	1.000