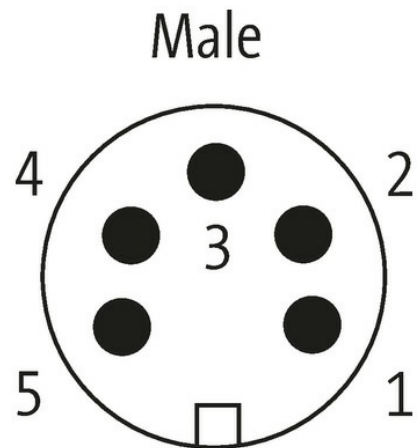
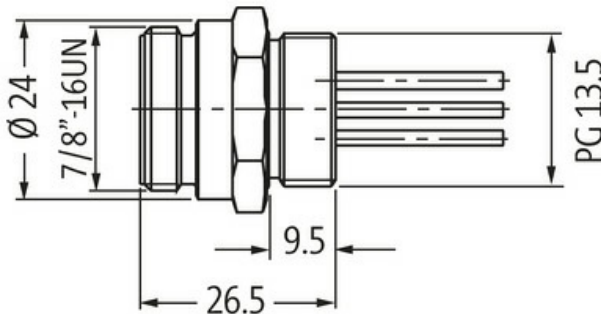
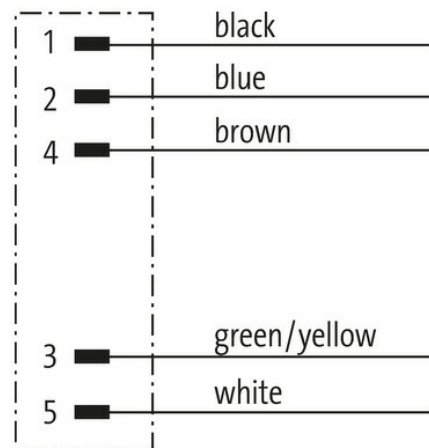


7/8" MALE FLANGE PLUG

Wire 5X0.75 0.5m

Flange male
7/8" (5-pole)
Front mounting
with multi-strand wire

[Link to Product](#)**Illustration**

Product may differ from Image

Form

Form 78341

Technical Data

| | |
|-------------------------------|---|
| Operating voltage | max. 300 V AC/DC |
| Operating current per contact | max. 6 A |
| Material group | IEC 60664-1, category III |
| Locking of ports | Screw thread 7/8" (recommended torque 1.5 Nm) self-securing |
| Compression gland | 7/8" (SW24) |
| Protection | IP68 inserted and tightened (EN 60529) |

General data

Temperature range -25...+85 °C

| Cables | |
|----------------------------|----------------------------|
| No./diameter of wires | 5× 0.75 mm ² |
| Wire isolation | PVC (br, wh, bl, bk, gnye) |
| Outer Ø | 3.1 mm ±5% |
| Cable number | 978 |
| Temperature range (fixed) | -25...+85 °C |
| Temperature range (mobile) | -10...+50 °C |
| Bend radius (fixed) | 10× outer Ø |
| Commercial data | |
| country of origin | DE |
| customs tariff number | 85444290 |
| EAN | 4048879134668 |
| eClass | 27279218 |
| Packaging unit | 1.000 |