

Female module, 5-pole, Push-in

400 V, 16 A

Female

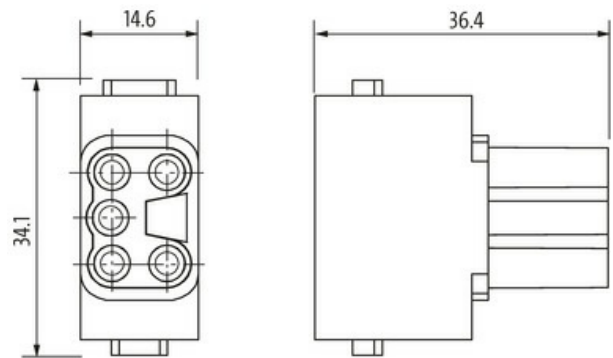
5-pole

Push-In terminals

Technical data will be only guaranteed with Murrelektronik components.

Please use wire end ferrule.

The clip 70MH-ZZ100-0000000 is needed (2x)

Link to Product**Illustration**

Product may differ from Image

**Technical Data**

Operating voltage	400 V AC/DC
Rated surge voltage	6.0 kV
Operating current	16 A
No. of poles	5
Mating cycles	min. 500
Connection	Push-In terminals
Connection cross section	0.14...2.5 mm ² (AWG 26...14)
Over voltage category	III

General data

Material (contact)	Brass
Material (contact surface)	Ag
Pollution Degree	3
Temperature range	-40...+125 °C
No. of module positions	1
Flammability class	V-0 (acc. to UL 94)
Type	Female
Material (module)	PC
Dimensions H×W×D	34.5×34.1×14.6 mm

Commercial data

The information in this brochure has been compiled with the utmost care.
Liability for the correctness completeness and topicality of the information is restricted to gross negligence. Version: 03/22

country of origin	PL
customs tariff number	85366990
EAN	4048879663991
eClass	27143424
Packaging unit	5.000