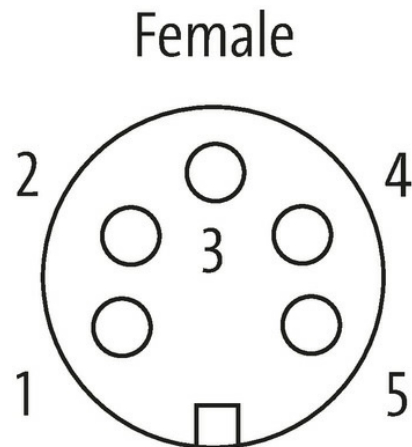
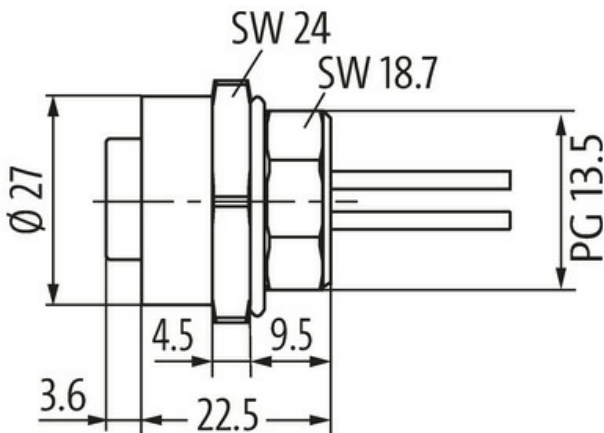
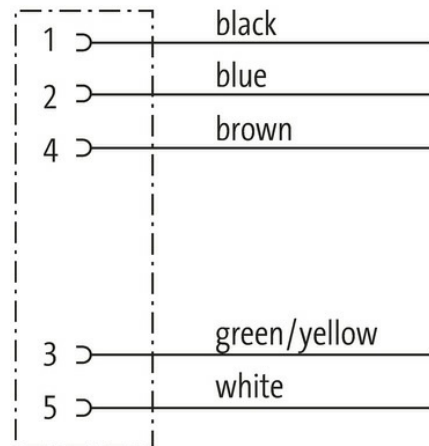


7/8" FEMALE FLANGE PLUG

Wire 5X0.75 1,5m

Flange female
7/8" (5-pole)
with multi-strand wire

[Link to Product](#)**Illustration**

Product may differ from Image

**Form**

Form 78381

Technical Data

| | |
|-------------------------------|---|
| Operating voltage | max. 300 V; max. 600 V (UL) |
| Rated surge voltage | 4.0 kV |
| Operating current per contact | max. 6 A max. 8 A |
| Material group | IEC 60664-1, category III |
| Locking of ports | Screw thread 7/8" (recommended torque 1.5 Nm) self-securing |

The information in this brochure has been compiled with the utmost care.
Liability for the correctness completeness and topicality of the information is restricted to gross negligence. Version: 03/22

| | |
|-------------------|--|
| Compression gland | 7/8" (SW24) |
| Protection | IP68 inserted and tightened (EN 60529) |

General data

| | |
|--------------------|--------------------|
| Material (contact) | Brass, gold plated |
| Temperature range | -25...+85 °C |

Cables

| | |
|----------------------------|----------------------------|
| No./diameter of wires | 5× 0.75 mm ² |
| Wire isolation | PVC (br, wh, bl, bk, gnye) |
| Outer Ø | 3.1 mm ±5% |
| Cable number | 978 |
| Temperature range (fixed) | -25...+85 °C |
| Temperature range (mobile) | -10...+50 °C |
| Bend radius (fixed) | 10× outer Ø |

Commercial data

| | |
|-----------------------|---------------|
| country of origin | DE |
| customs tariff number | 85444290 |
| EAN | 4048879721837 |
| eClass | 27279218 |
| Packaging unit | 1.000 |