

Emergency stop with 2 positive opening

contacts in a IP65 enclosure

E-Stop / R-B 42 2NC 1NO M12(8)

with M12 connection

8-pole

Emergency-Stop button

2 NC (positively-opening)

1 button (1 NO contact)

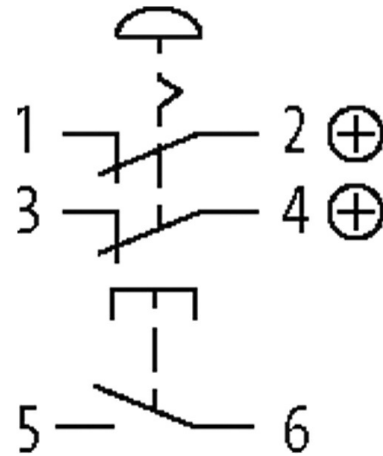
Delivery contents:

Flat lens, transparent clear, red, yellow, green, blue

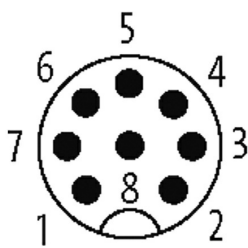
Label plates, O, I, R

Link to Product

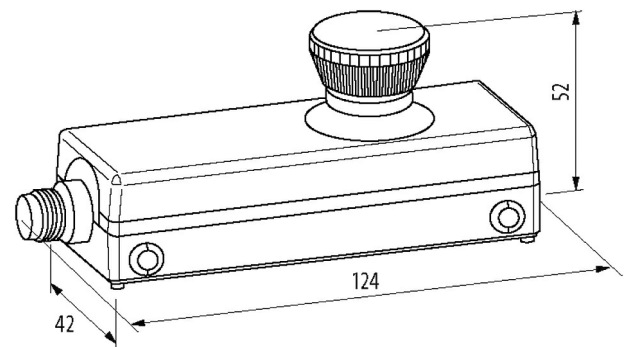
Illustration



Male



PIN 1: N/C 1
 PIN 2: N/C 1
 PIN 3: N/C 2
 PIN 4: N/C 2
 PIN 5: N/O 1
 PIN 6: N/O 1
 PIN 7: n.c.
 PIN 8: n.c.



Product may differ from Image



Technical Data

Operating voltage 1...36 V DC; 30 V DC (UL)

Operating current 1.5 A

The information in this brochure has been compiled with the utmost care.

Liability for the correctness completeness and topicality of the information is restricted to gross negligence. Version: 03/22

Murrelektronik Ltd. | 5 Albion Street, Pendlebury Industrial Estate, Swinton | Manchester M27 4FG | Fon +44 161 728 3133 | Fax +44 161 728 3130 | shop@murrelektronik.co.uk | shop.murrelektronik.co.uk

Contact bounce time max. 10 ms

General data

Mounting method	with clip on back
Material (contact)	Ag Ni
Temperature range	-25...+70 °C (storage temperature -25...+85 °C)
Lambda (d)	20% (N/C)
B10d	250 000
Mech./ elect. life	50 000 actuations, load-temperature dependent
Protection	IP65
Connection	M12 (8-pole)
Dimensions H×W×D	52×124×42 mm

Contact Layout

PIN 1	Emergency-Stop: NC-1
PIN 2	Emergency-Stop: NC-1
PIN 3	Emergency-Stop: NC-2
PIN 4	Emergency-Stop: NC-2
PIN 5	Button: N/O 1
PIN 6	Button: N/O 1
PIN 7	Button: n.c.
PIN 8	Button: n.c.

Commercial data

country of origin	DE
customs tariff number	85365080
EAN	4048879594264
eClass	27371244
Packaging unit	1.000