

A10 Hood, high profile, IP65

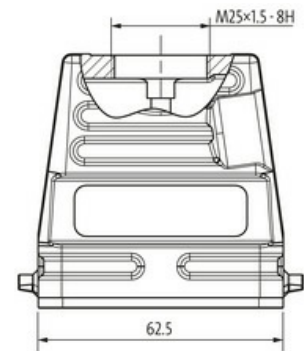
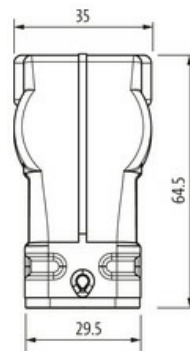
Single locking lever, top entry M25

A10
Hood (high)
Single locking lever
IP65

Technical data will be only guaranteed with Murrelektronik components.

Link to Product

Illustration



Product may differ from Image

Technical Data

Mating cycles	min. 500
Locking of ports	Single locking lever
Protection (housing)	IP65 inserted and tightened (EN 60529), with gland

General data

Material (gasket)	CR
Temperature range	-40...+100 °C
Material (housing)	Aluminum die-cast
Housing type	Hood
Threaded hole	M25
Size	A10
Cable outlet	straight
Locking material	Steel (galvanized)
Climatic category	40/100/21 (EN 60068-1)
Material (housing surface)	powder-coated
Dimensions H×W×D	64.5×35×62.5 mm

Commercial data

country of origin	CZ
customs tariff number	85389099
EAN	4048879643061
eClass	27143424
Packaging unit	1.000