

**M12 male 0° L-cod. field- wireable (IDC)**5-pol. 0.75...1.5mm<sup>2</sup> 5.8-13.5mm

Male straight

M12, 5-pole

L-coded

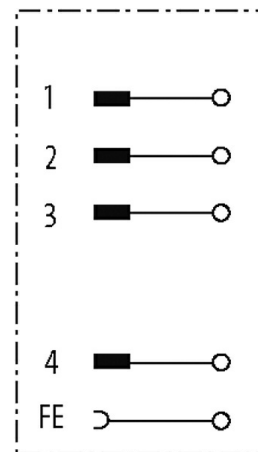
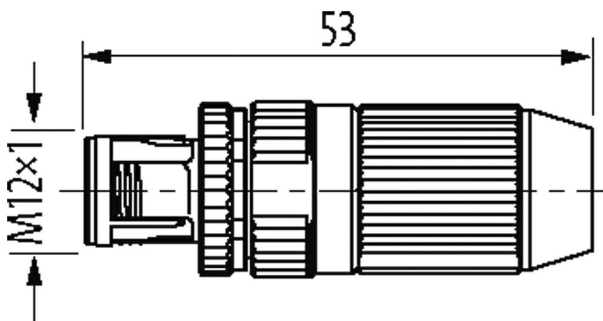
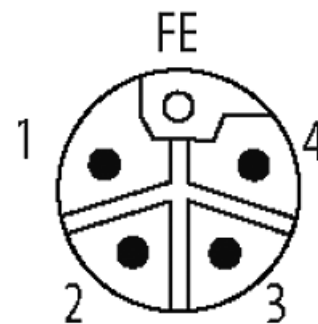
Insulation displacement technology IDC

Connection cross section: 0.75...1.5 mm<sup>2</sup>

The resistance to aggressive media should be individually tested for your application. Further details on request.

**[Link to Product](#)****Illustration**

Male



Product may differ from Image

**Technical Data**

Operating voltage	max. 63 V DC
Operating current per contact	max. 12 A
No. of poles	5
Material group	IEC 60664-1, category III
Coding	L-coded
LED display	no
Connection cross section	0.75...1.5 mm <sup>2</sup>
Sealing range (cable Ø)	5.8...13.5 mm
Locking of ports	Screw thread (M12×1 mm) recommended torque 0.6 Nm, self-securing
Compression gland	pluggable, screw locking / M12 (A/F17) / zinc-pressure die casting, surface Ni

The information in this brochure has been compiled with the utmost care.

Liability for the correctness completeness and topicality of the information is restricted to gross negligence. Version: 03/22

Murrelektronik Ltd. | 5 Albion Street, Pendlebury Industrial Estate, Swinton | Manchester M27 4FG | Fon +44 161 728 3133 | Fax +44 161 728 3130 | shop@murrelektronik.co.uk | shop.murrelektronik.co.uk

**General data**

Standards	DIN EN 61076-2-101 (M12)
Material (contact carrier)	PA
Material (contact surface)	Au
Temperature range	-40...+85 °C

**Commercial data**

country of origin	DE
customs tariff number	85366990
EAN	4048879849456
eClass	27279221
Packaging unit	1