

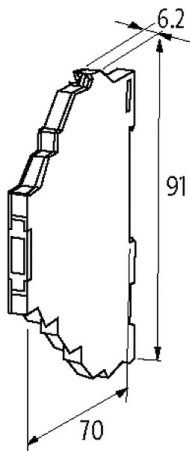
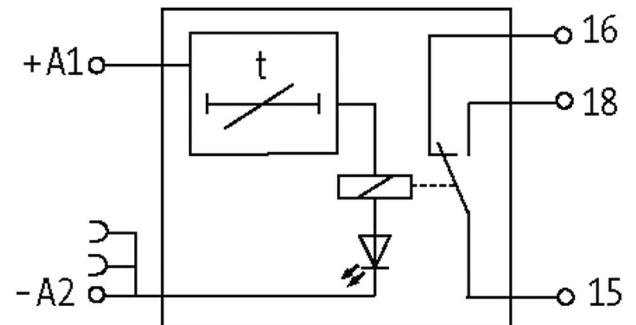
MIRO On-delay Time Relay 24VDC-1W

MIRO 6.2 TIMER ON-DELAY

Relay output
Switch on delay: 0.1...10 s
Spring clamp terminals

[Link to Product](#)

Illustration



Product may differ from Image



General data

Mounting method	DIN-rail mountable (EN 60715)
Temperature range	0...+55 °C
Test isolation voltage	4 kV; safe separation (EN 60947-1)
Mech./ elect. life	20 000 000 switching cycles/load dependent
Dimensions H×W×D	91×6.2×70 mm

Output

Output voltage	max. 250 V AC/DC
----------------	------------------

The information in this brochure has been compiled with the utmost care.
Liability for the correctness completeness and topicality of the information is restricted to gross negligence. Version: 03/22

Min. load current	100 mA (12 V DC)
Output rating	max. 1500 VA/120 W
Contact material	Ag Sn O ₂
Energize/release/contact bounce time	10/15/1.5 ms
Switching frequency	max. 10 Hz
Output current	max. 6 A

Input

Input voltage	24 V DC (+10 -15%) input A
Control voltage	24 V DC (+10 -15%) input B
Control current	5 mA (input B)
Input current	20 mA (input A)

Utilization category

AC-15	3 A (24/110/230 V AC)
AC-12	6 A (24/110/230 V AC)
DC-13	1 A (24 V DC); 0.2 A (110 V DC); 0.1 A (230 V DC)

Commercial data

country of origin	CZ
customs tariff number	85364900
EAN	4048879021951
eClass	27371790
Packaging unit	1.000