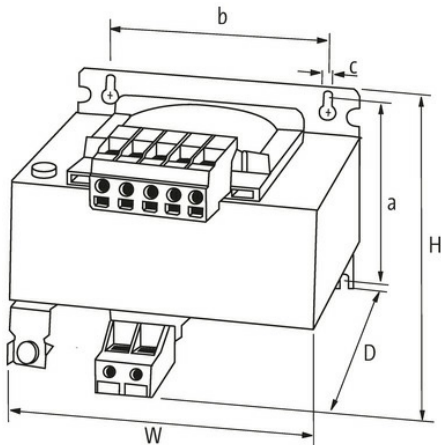
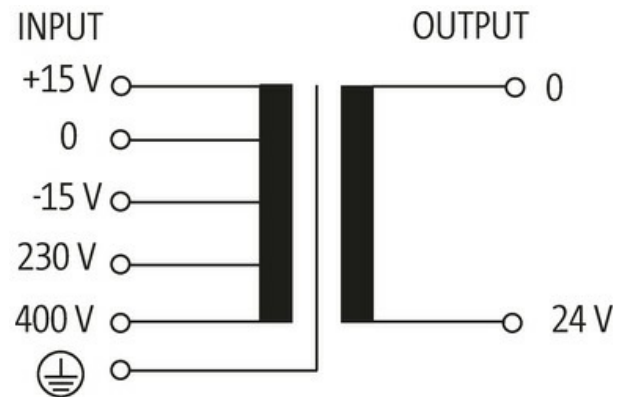


MTS 1-PHASE SAFETY TRANSFORMER

P: 63VA IN: 230/400VAC +/- 15VAC OUT: 24VAC

Single-phase safety transformer
63 VA
Isolation class T 40/B
Other voltages on request.

[Link to Product](#)**Illustration**

Product may differ from Image

**General data**

Standards	EN 61558-1, EN 61558-2-6, EN 62041 category 0
Mounting method	Long-hole mounting or DIN-rail mountable TH35 (EN 60715)
Temperature range	-20...+40 °C (storage temperature -40...+80 °C)
Test isolation voltage	4 kV (prim./sec.)
Drill hole Ø	4.8×8.4 mm
Fixing centers a×b×c	56×56×4.8 mm

The information in this brochure has been compiled with the utmost care.
Liability for the correctness completeness and topicality of the information is restricted to gross negligence. Version: 03/22

Dimensions H×W×D 79×78×93 mm

Output

Output voltage 24 V AC (SELV)
Output rating 63 VA

Input

Input voltage 230/400 ±15 V AC
Inrush current 2 A (230 V AC); 1.15 A (400 V AC)
Short-circuit current 2.95 A (230 V AC); 1.7 A (400 V AC)
Input current 0.33 A (230 V AC); 0.2 A (400 V AC)
Frequency 50...60 Hz

Commercial data

country of origin CZ
customs tariff number 85043180
EAN 4048879078443
eClass 27031302
Packaging unit 1.000