

CUBE67+ Hygienic Design I/O EXTENSION MODULE

12 multif. channels + 4 IO-Link master V1.1

Expansion module

Connection cables are in the online shop under "Connection Technology".

DIO12 IOL4 (E) - 8x M12

IO-Link Master V1.1.2

Digital inputs/outputs (multifunctional)

Hygienic Design

Stainless steel, polished

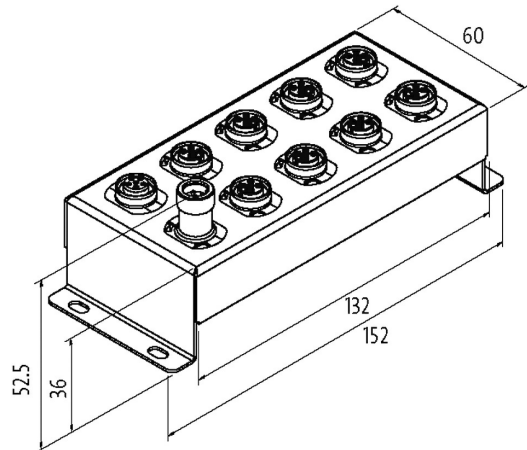
Cube67+ modules can only be operated on Cube67+, EtherNet/IP, PROFIBUS + PROFINET bus nodes.

Housing fully potted.

Connection cable: F&B, F&B Pro, Steel

Link to Product

Illustration



Product may differ from Image



General data

Mounting method	2-hole screw mounting
Temperature range	0...+55 °C (storage temperature -20...+75 °C)
Compatible with:	56521; 56526; 56535
Protection	IP69K
Dimensions HxWxD	126x30x34.5 mm

Output

Lamp load	30 W
Actuator supply UA	24 V DC (EN 61131-2), via system connection (max. 4 A)
Switching current per output	max. 1.6 A (short-circuit and overload protected)

Input

Sensor supply US	24 V DC (EN 61131-2), max. 200 mA (port 0...3); max. 700 mA (port 4...7)
Type	for 3-wire sensors or mechanical switches, PNP
Input filter	1 ms

IO-Link

Specification	IO-Link Master V1.1.2
---------------	-----------------------

Port Class	Class A + B (not galvanically separated)
IO-Link	4x Master
Transfer parameters	32 Byte (In) 32 Byte (Out) per IO-Link port
Operating modes	COM1; COM2; COM3 (automatic)
Internal communication	
LED display	US: sensor supply (green: OK); IOL: (green: OK); UA: actuator supply (green: OK)
Current consumption	max. 100 mA
Parameterization	
PIN 4	Input/Output (port 0...3); IO-Link Master (port 4...7)
PIN 2	Input/Output/Diagnostic
Connections	
Fieldbus	via internal system connection
Sensor-system/actuator supply	via internal system connection (max. 2x 4 A)
I/O ports	M12 (female) 5-pole, A-coded
Diagnostic	
Communication status	via LED
Diagnostic via LED	per module and channel
Diagnostic via BUS	per module and channel
Actuator warning	per channel via LED and BUS
Monitoring - under voltage	yes
Monitoring - no voltage	yes
Short-circuit and overload	yes
Commercial data	
country of origin	DE
customs tariff number	85389099
EAN	4048879697316
eClass	27242604
Packaging unit	1.000