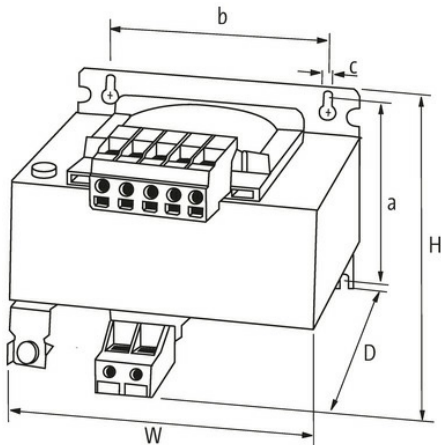
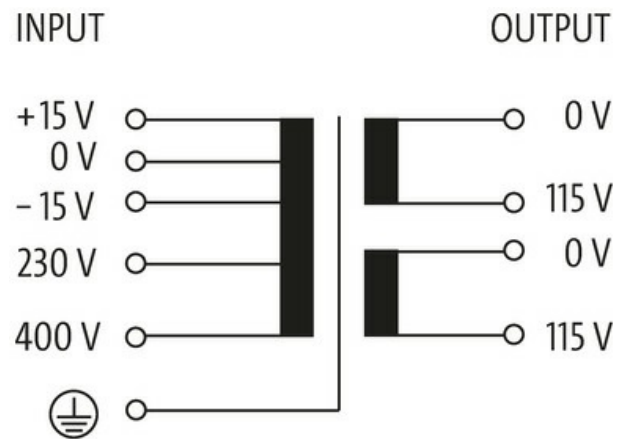


**MTL 1-PHASE CONTROL AND ISOLATION TRANSFORMER**

P: 400VA IN: 230/400VAC +/- 15VAC OUT: 2x115VAC

Single-phase - Control and Isolation Transformers  
 400 VA  
 Spring clamp terminals  
 Isolation class T 60/B

[Link to Product](#)**Illustration**

Product may differ from Image

**General data**

Standards	EN 61558-1, EN 61558-2-4, EN 62041 category 0
Mounting method	DIN-rail mountable TH35-15 (EN 60715) or for key-hole mounting
Temperature range	-20...+60 °C (storage temperature -40...+80 °C)
Test isolation voltage	4 kV (prim./sec.)
Drill hole Ø	7×11 mm
Fixing centers a×b×c	95×122×7 mm

The information in this brochure has been compiled with the utmost care.  
 Liability for the correctness completeness and topicality of the information is restricted to gross negligence. Version: 03/22

Dimensions H×W×D 113×151×146 mm

**Output**

Output voltage 1× 230, 1× 115, 2× 115 V AC  
Output rating 400 VA

**Input**

Input voltage 230/400 ±15 V AC  
Inrush current 32 A (230 V AC); 18.48 A (400 V AC)  
Short-circuit current 59 A (230 V AC); 34.1 A (400 V AC)  
Input current 2 A (230 V AC); 1.17 A (400 V AC)  
Frequency 50...60 Hz

**Commercial data**

country of origin CZ  
customs tariff number 85043180  
EAN 4048879065870  
eClass 27031302  
Packaging unit 1.000